



Compact
Fluorescent Trim

**6" Flush Tempered
Fresnel Lens**

Recessed

2-Lamp Horizontal

Type _____

-83

P8038

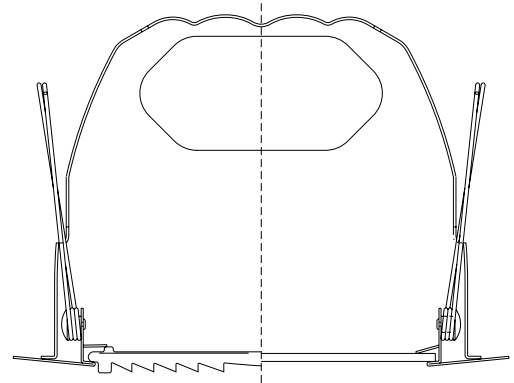
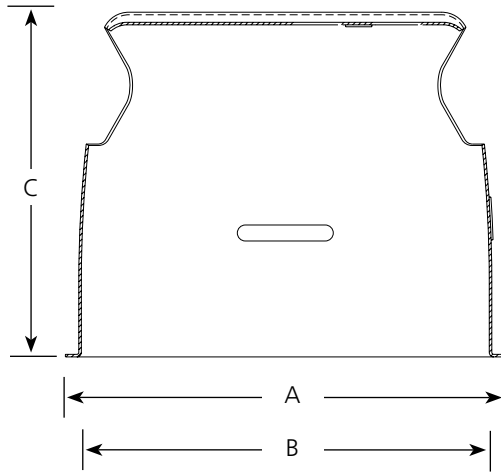
Finish

Catalog No.	Finish
P8038	-83

Dimensions (Inches)

A	B	C
7-3/4	6-3/8	5-7/16

Maximum Ceiling Thickness: 1-1/8"



Lamp Wattage

Housing	IC	Non-IC
P63-EB	N/A	2 13w Quad
P68-EB	N/A	2 18w Quad
P66-EB	N/A	2 26w Quad

Specifications:

Flange

- Bright white powdered painted metal flange

Trim

- All aluminum construction
- One piece upper construction with integral flange
- No light leaks around trim flange
- Socket box mounts to trim for optimum performance and consistent lamp position
- Trim retention accompanied by 3 spring clips located in aperture of housing

Lens

- Tempered clear fresnel glass in flush trim frame with scissor springs for lamp access: 5-13/32" large dia., 4-29/32" small dia.
- Protects lamps from below ceiling
- Provides broad distribution of light while minimizing visibility of lamp image.

Labeling

- UL-CUL wet location listed
- Non-IC rated

Progress Lighting
701 Millennium Blvd.
Greenville, South Carolina
29607

www.progresslighting.com
Patent# 6,254,257

Rev. 7/09



FireBox
Compact
Fluorescent Trim

6" Pro-Optic FireBox Flat Fresnel
2 Horizontal Lamps
Non-IC

Recessed

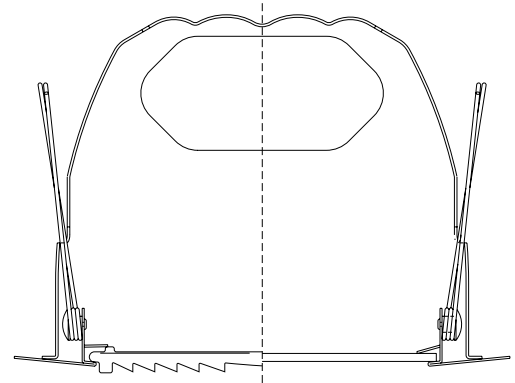
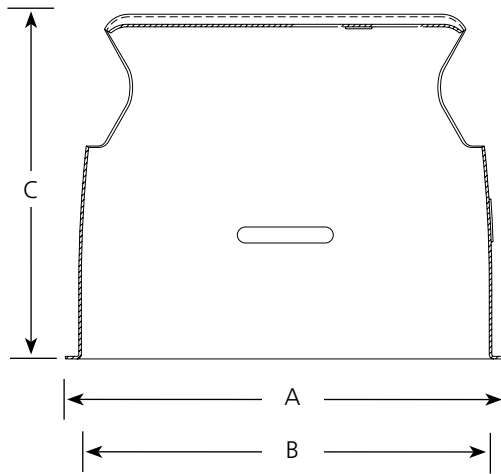
Type _____
-83FB
P8038

Finish	
Catalog No.	Finish
P8038	-83FB

Dimensions (Inches)

A	B	C
7-3/4	6-3/8	5-1/4

Maximum Ceiling Thickness: 1-1/8"



Lamp Wattage

Housing	IC	Non-IC
P63-EBFB	N/A	2 13w Quad 4-Pin
P68-EBFB	N/A	2 18w Quad 4-Pin
P66-EBFB	N/A	2 26w Quad 4-Pin

Specifications:

Flange

- White painted metal flange

Trim

- All aluminum construction
- One piece upper conoid reflector with bright white finish
- No light leaks around trim flange
- Socket box mounts to trim for optimum performance and consistent lamp position
- Trim retention accomplished by 3 spring clips located in aperture of housing

Lens

- Tempered fresnel glass in flush trim frame with scissor springs for lamp access: 5-13/32" large dia., 4-29/32" small dia.
- Protects lamps from below ceiling
- Provides broad distribution of light.

Labeling

- UL-CUL wet location listed
- Non-IC rated

Progress Lighting
701 Millennium Blvd.
Greenville, South Carolina
29607

www.progresslighting.com
Patent# 6,254,257