



Compact Fluorescent
Trims

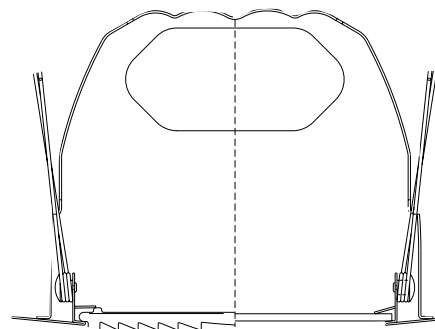
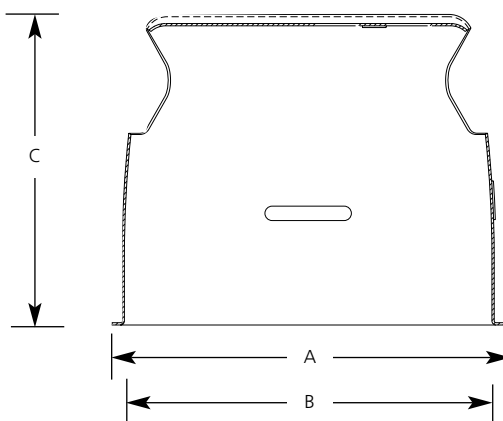
**6" Flush Tempered
Fresnel Lens
2-Lamp Horizontal**

Recessed

Type _____
-83
P8038

Catalog No.	Finish White	Dimensions (Inches)		
		A	B	C
P8038	-83	7-3/4	6-3/8	5-7/16

Maximum Ceiling Thickness: 1-1/8"



*Lamps shown are 13w twin tube compact fluorescent

Lamp Wattage

Housing	IC	Non-IC
P69	N/A	2 9w Twin
P63	N/A	2 13w Twin or Quad
P63-EBIC	2 13w Quad	2 13w Quad
P68	N/A	2 18w Quad
P66	N/A	2 26w Quad
P28	N/A	2 28w Quad

Specifications:

Flange

- Bright white powdered painted metal flange

Trim

- All aluminum construction
- One piece construction with integral flange
- No light leaks around trim flange
- Socket box mounts to trim for optimum performance, and consistent lamp position
- Trim retention accompanied by 3 spring clips located in aperture of housing
- Powder painted bright white finish

Lens

- Tempered clear fresnel glass
- Protects lamps from below ceiling
- Provides a broad, even distribution of light while minimizing visibility of lamp image

Labeling

- UL-CUL wet location listed

Progress Lighting
Post Office Box 5704
Spartanburg, South Carolina
29304-5704

www.progresslighting.com
Patent# 6,254,257

Rev. 7/02