



Compact Fluorescent  
Trim

**6" Pro-Optic Baffle**  
2 Horizontal Quad Tube Lamps  
Non-IC

**Recessed**

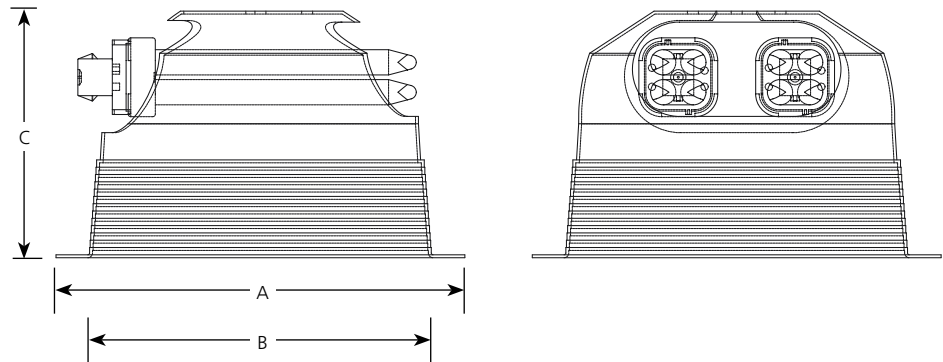
Type \_\_\_\_\_

-28    -31  
P8031       

Catalog No.	Finish		Dimensions (Inches)		
	White	Black	A	B	C
P8031	-28	-31	7	5-3/4	4-3/4

Maximum Ceiling Thickness = 1-1/4

Ceiling Opening = 6-1/4



**Lamp Wattage**

Housing	IC	Non-IC
P63-EB	N/A	2-13w Quad tube
P68-EB	N/A	2-18w Quad tube
P66-EB	N/A	2-26w Quad tube
P66-DM	N/A	2-26w Quad tube

**Specifications:**

Flange

- White painted metal flange

Reflector

- All aluminum construction
- One piece construction with integral flange
- Alzak anodized upper conoid reflector provides superior efficiency
- Painted lower baffle provides excellent glare control
- No light leaks around trim flange
- Socket box mounts to reflector for optimum performance and consistent lamp position

- Reflector retention accomplished by 3 spring clips located in aperture of housing
- Spun aluminum multigroove step baffle
- Single reflector accommodates both standard and internal emergency housings

Labeling

- UL and CUL listed for damp location
- Non-IC rated

Progress Lighting  
701 Millennium Blvd.  
Greenville, South Carolina  
29607

www.progresslighting.com

Rev. 4/09



Compact  
Fluorescent Trim

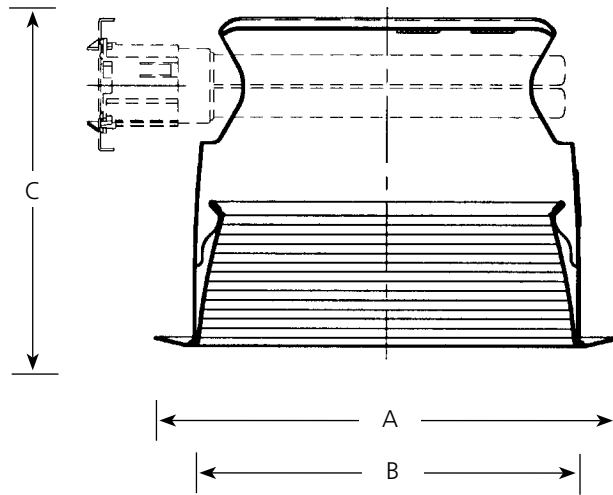
**6" Pro-Optic FireBox® Baffle**  
2 Horizontal Lamps  
Non-IC

Recessed

Type \_\_\_\_\_  
-28FB -31FB  
P8031

Catalog No.	Finish		Dimensions (Inches)		
	White	Black	A	B	C
P8031	-28FB	-31FB	7-3/4	6-3/8	5-1/4

Maximum Ceiling Thickness: 1-1/8"



**Lamp Wattage**

Housing	IC	Non-IC
P63-EBFB	N/A	2 13w Quad 4 Pin
P68-EBFB	N/A	2 18w Quad 4 Pin
P66-EBFB	N/A	2 26w Quad 4 Pin

**Specifications:**

Flange

- White painted metal flange

Trim

- All aluminum construction
- One piece construction with integral flange
- No light leaks around trim flange
- Socket box mounts to reflector for optimum performance and consistent lamp position
- Reflector retention accomplished by 3 spring clips located in aperture of housing
- Spun aluminum multigroove step baffle
- White (-28) or Black (-31) painted

Labeling

- UL-CUL listed for damp locations
- Non-IC rated

Progress Lighting  
701 Millennium Blvd.  
Greenville, South Carolina  
29607

www.progresslighting.com  
Patent# 6,254,257







# P66-EBFB

## P66-EBFB WITH P8031-31FB

Report No. 98179

No. Lamps: 2 Type Lamp: 26W CF QUAD-GE Total Lumens: 3400

Fixture Efficiency: 25.2%

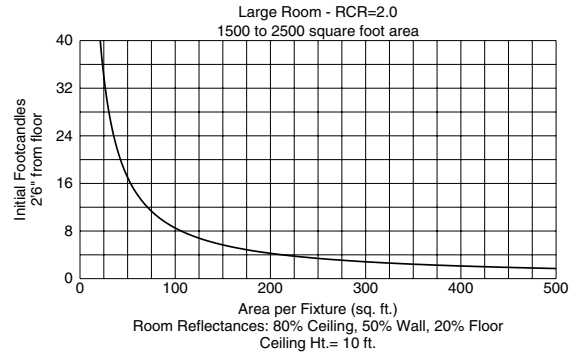
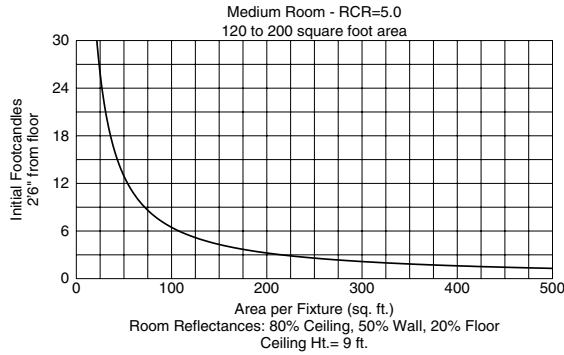
S/MH Ratio: 0.9 (0°) 1.0 (90°)

### Single Fixture Data

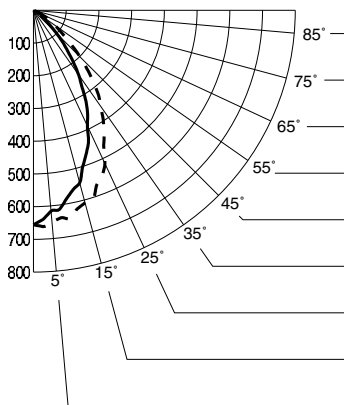
Ceiling Ht.(Ft.)	10% Values		Zero Degrees	50% Values	
	Beam Angle - 87°			Beam Angle - 51°	
	Ft.-C	Beam Dia.		Ft.-C	Beam Dia.
8	2.2	10	21.7	10.8	5
10	1.2	14	11.6	5.8	7
12	0.7	18	7.3	3.6	9
14	0.5	22	5.0	2.5	11
16	0.4	26	3.6	1.8	13

Ft.-C (Footcandles) are initial and measured 2'-6" from floor

### Quick Calculator Charts



#### DISTRIBUTION CURVE



#### INTENSITY DATA

DEGREES	CANDELA	
	AT 0°	AT 90°
90	0	0
85	0	0
80	1	1
75	1	1
70	2	6
65	14	24
60	27	49
55	34	80
50	55	125
45	100	203
40	163	284
35	241	356
30	321	432
25	390	517
20	469	566
15	546	609
10	584	646
5	616	649
0	655	655

#### ZONAL CAVITY COEFFICIENTS OF UTILIZATION

Effective Floor Cavity Reflectance 0.20

RC	Effective Floor Cavity Reflectance 0.20																				
	80				70				50				30				10				0
RW	70	50	30	10	70	50	30	10	50	30	10	50	30	10	50	30	10	50	30	10	0
0	30	30	30	30	29	29	29	29	28	28	28	27	27	27	26	26	26	25	25	25	25
1	28	27	27	26	28	27	26	26	26	25	25	25	25	24	24	24	23	23	23	23	23
2	27	25	24	23	26	25	24	23	24	23	22	23	22	22	22	22	21	21	21	21	21
3	25	23	22	20	24	23	21	20	22	21	20	21	20	20	21	20	19	19	19	19	19
4	23	21	20	18	23	21	19	18	20	19	18	20	19	18	19	18	18	17	17	17	17
5	22	19	18	17	21	19	18	16	19	17	16	18	17	16	18	17	16	16	16	16	16
6	21	18	16	15	20	18	16	15	17	16	15	17	16	15	17	16	15	15	15	15	15
7	19	17	15	14	19	16	15	14	16	15	14	16	14	13	16	14	13	13	13	13	13
8	18	15	14	13	18	15	14	13	15	14	12	15	13	12	15	13	12	12	12	12	12
9	17	14	13	12	17	14	13	12	14	13	12	14	12	11	14	12	11	11	11	11	11
10	16	14	12	11	16	13	12	11	13	12	11	13	12	11	13	12	11	11	11	11	11

