



Compact Fluorescent

Non-Metallic

Outdoor

Energy Star

Type _____

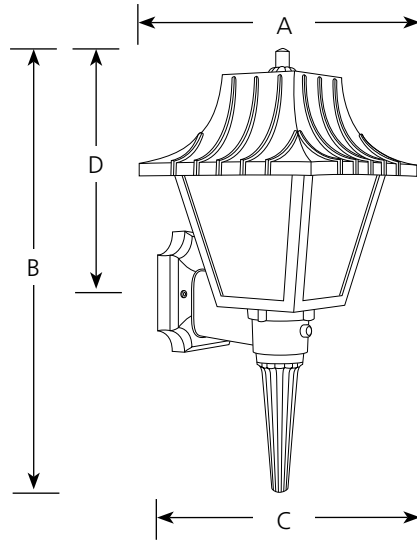
-30EB -31EB

P5843

Finish

Dimensions (Inches)

Catalog No	Finish			Lamping	Dimensions (Inches)			
	White	Black			A	B	C	D
P5843	-30EB	-31EB		1-4 pin 18w Quad CFL	8	17-5/8	8-1/2	9-3/4



Specifications:

General

- White acrylic panels
- Mansard roof
- Roof hinges for lamp replacement
- Polypropylene construction
- White (-30) or black (-31) material
- Energy Star certified

Mounting

- Wall mount outdoor
- Covers a standard 4" recessed octagonal recessed outlet box
- Mounting strap included

Electrical

- Unit has a 4 pin GX24q-2 socket
- 120v NPF electronic ballast
- Unit will start down to 0 degrees F
- Integral photocell turns unit off during daytime
- Pre-wired

Labeling

- UL-CUL wet location listed



Progress Lighting
701 Millennium Blvd.
Greenville, South Carolina
29607

www.progresslighting.com

Rev. 5/09