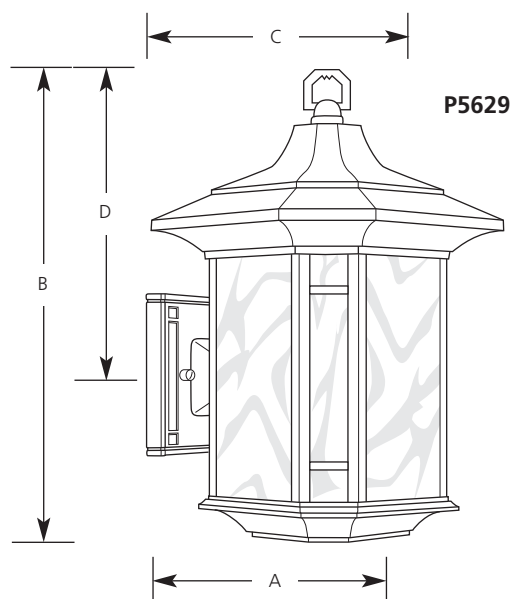
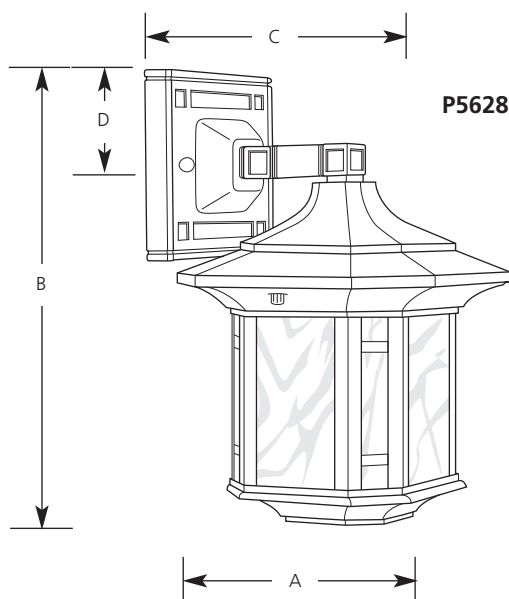


Type _____
 -46
 P5628
 P5629

Catalog No.	Finish Weathered Bronze	Lamping	Dimensions (Inches)			
			A	B	C	D
P5628	-46	1 (m) 100w	6-5/8	10-1/2	7-1/2	2-1/4
P5629	-46	1 (m) 150w	10	15-1/4	10-3/4	9-7/8



Specifications:

General

- Hand-painted finish
- Light honey art glass panels
 P5628: (large) 4-1/8" ht., 2-5/8" width;
 (small) 4-1/8" ht., 1-1/32" width
 P5629: (large) 7-29/32" ht., 3-31/32"
 width; (small) 7-29/32" ht., 1-19/32"
 width
- Die cast aluminum construction
- Companion fixtures: Post top and chain hung lanterns

Mounting

- Wall mount
 P5628 back plate is 4-1/2" square
 P5629 back plate is 5-1/2" square

Electrical

- Medium based porcelain sockets with nickel plated brass screw shell
- Pre-wired

Labeling

- UL-CUL wet location listed