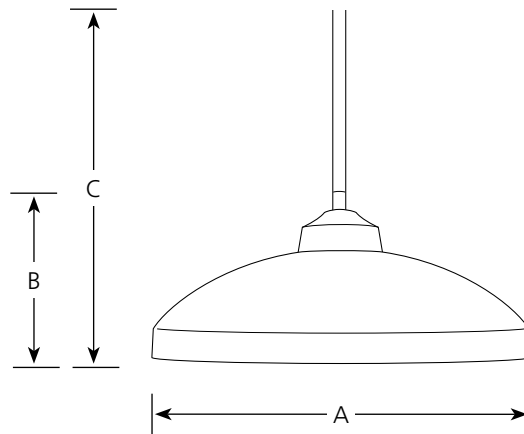


Catalog No.	Finish		Lamping	Dimensions (Inches)		
	Black	Polished Nickel		A	B	C
P5162	-31	-104	1 (m) 100w	14-3/8	6-1/8	72

	Type _____
	-31 -104
P5162	<input type="checkbox"/> <input type="checkbox"/>



Specifications:

General

- Etched Painted White Inside glass shade
- Painted Black (-31) finish
- Plated Polished Nickel (-104) finish
- Steel construction
- One 6", four 12" lengths of stem included
- 6 links of 9 gauge chain included
- Companion Bath and Vanity, Chandelier, Close-to-ceiling, Hall and Foyer, Pendant, Wall bracket, fixtures are available

Mounting

- Ceiling stem mounted with 6 links of chain mount
- Canopy covers a standard 4" hexagonal recessed outlet box
- Mounting strap for outlet box included
- Threaded socket ring secures glass

Electrical

- A19 base ceramic socket
- 10 feet of wire supplied
- Pre-wired

Labeling

- UL-CUL Dry location listed