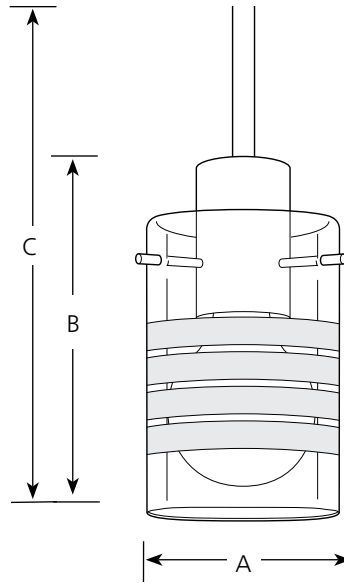


Type \_\_\_\_\_

-09

P5158

Catalog No.	Finish	Lamping	Dimensions (Inches)		
	Brushed Nickel		A	B	C
P5158	-09	1 (m) 100W	3-7/8	7-1/4	49



**Specifications:**

General

- Clear and etched cylindrical glass shade
- Plated finish
- Steel construction
- Two 6", one 12", and one 15" matching stem sections supplied with concealed connectors
- Companion fixtures: P5159 and P5160, full sized pendants

Mounting

- Ceiling mount on stem
- Canopy Covers a standard 4" octagonal recessed outlet box
- Canopy is 4-15/16" dia.
- Mounting strap for outlet box included

Electrical

- Pre-wired
- 10 feet of wire
- Ceramic medium based socket

Labeling

- UL-CUL listed