



Incandescent

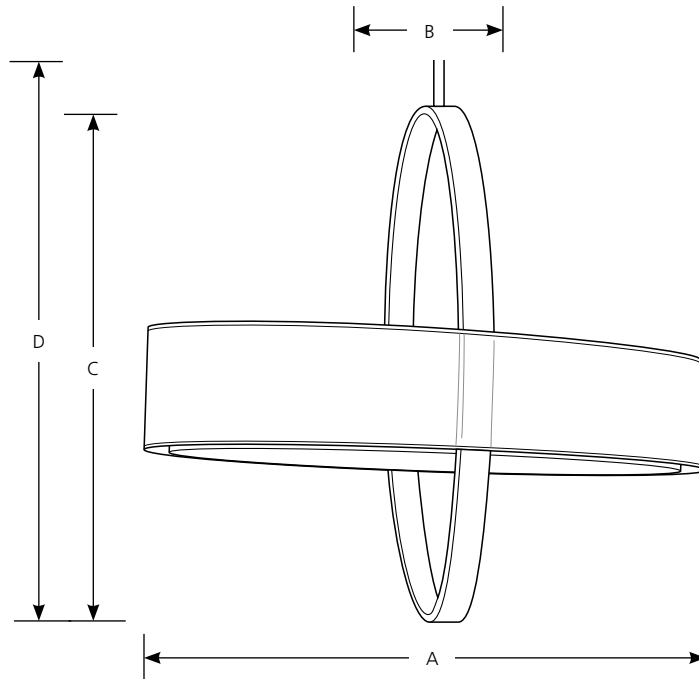
Cuddle

Pendants

Type _____
-09 -20

P5058

Catalog No.	Finish		Lamping	Dimensions (Inches)			
	Brushed Nickel	Antique Bronze		A	B	C	D
P5058	-09	-20	4 (c) 40w	24	7	21	87



Specifications:

General

- White mylar outside shade: 24" L., 7" W., 4-7/16" ht.
- White linen inside shade: 21-1/4" L., 4-1/4" W., 4-5/16" ht.
- Plated Brushed Nickel (-09) finish
- Painted Antique Bronze (-20) finish
- Steel construction
- One 6", four 12" lengths of stem included
- 6 links of 9 gauge chain supplied.
- Companion Pendant, Sconce, fixtures are available

Mounting

- Ceiling stem mounted with 6 links of chain mount
- Canopy covers a standard 4" hexagonal recessed outlet box
- Mounting strap for outlet box included

Electrical

- Candelabra base phenolic sockets
- 15 feet of wire supplied
- Pre-wired

Labeling

- cCSAus listed

Progress Lighting
701 Millennium Blvd.
Greenville, South Carolina
29607

www.progresslighting.com

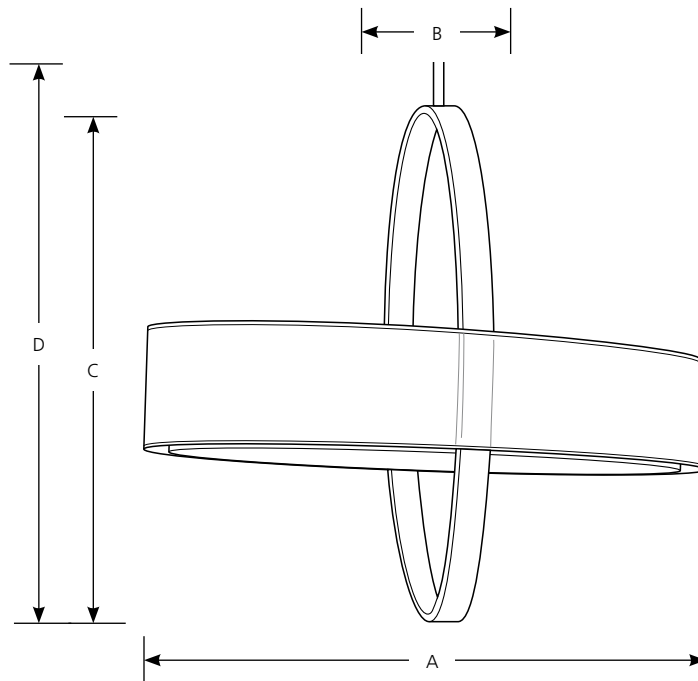
Rev. 05/13

Type _____

-09EBWB -20EBWB

P5058

Catalog No.	Finish		Lamping	Dimensions (Inches)			
	Brushed Nickel	Antique Bronze		A	B	C	D
P5058	-09EBWB	-20EBWB	2-26w GU-24 squat (included)	24	7	21	87



Specifications:

General

- White mylar outside shade: 24" L., 7" W., 4-7/16" ht.
- White linen inside shade: 21-1/4" L., 4-1/4" W., 4-5/16" ht.
- Plated Brushed Nickel (-09EBWB) finish
- Painted Antique Bronze (-20EBWB) finish
- Steel construction
- One 6", four 12" lengths of stem included
- 6 links of 9 gauge chain supplied.
- 26w GU24 squat self-ballasted GU-24 squat lamps (included)
- Companion Pendant, Sconce, fixtures are available

Mounting

- Ceiling stem mounted with 6 links of chain mount
- Canopy covers a standard 4" hexagonal recessed outlet box
- Mounting strap for outlet box included

Electrical

- GU24 base sockets
- 15 feet of wire supplied
- Pre-wired

Labeling

- cCSAus listed