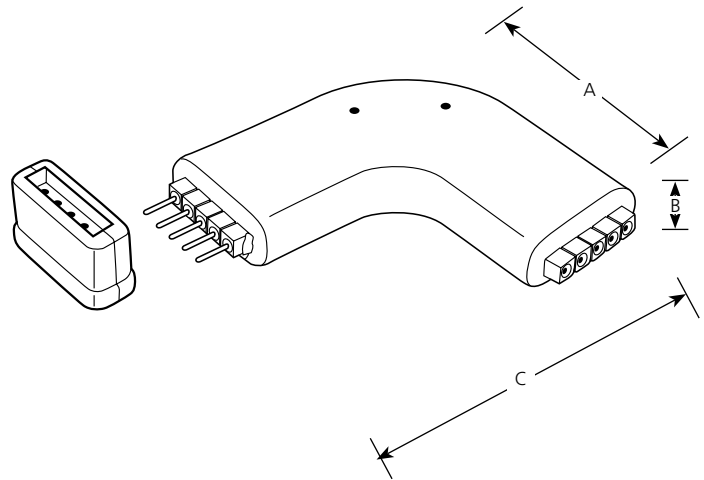




Type _____
-30

P8711

| Catalog No. | Finish | Dimensions (Inches) | | |
|-------------|--------|---------------------|-----|--------|
| | Black | A | B | C |
| P8711 | -30 | 1-3/8 | 1/4 | 1-5/16 |



Specifications:

General

- Black (-30) finish
- 90° connector to connect tape sections on corners

Mounting

- Undercabinet mount

Electrical

- Fixtures can be linked together to form a continuous row of illumination

Labeling

- CETL Damp location listed