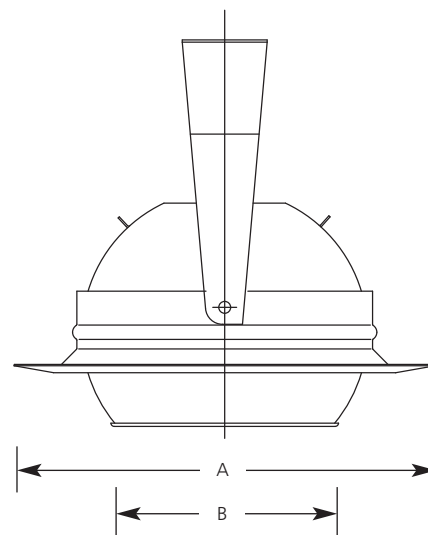
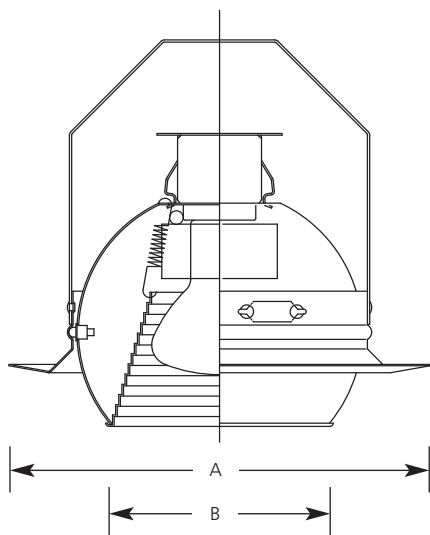


Type \_\_\_\_\_

	-09	-10	-20	-28	-36
P8076	<input type="checkbox"/>	<input type="checkbox"/>	<input type="checkbox"/>	<input type="checkbox"/>	<input type="checkbox"/>

Catalog No.	Finish					Dimensions (Inches)	
	Brushed Nickel	Polished Brass	Antique Bronze	White	Chestnut	A	B
P8076	-09	-10	-20	-28	-36	7-3/4	4



**Lamp Wattage**

Housing	IC	Non-IC
P87-AT	75PAR30/65BR30	75PAR30/65BR30
P87-ATQC	75PAR30/65BR30	75PAR30/65BR30
P187-TG	75PAR30/65BR30	75PAR30/65BR30
P821-AT	85PAR30/75PAR30	85PAR30/75PAR30
P821-FB	N/A	85PAR30/75PAR30

**Specifications:**

Flange

- Flanges on all match the ball and trim finish
- No light leaks around trim flange
- Covers irregular ceiling openings

Trim

- Built-in bracket to accept Trim-Lok spring
- Trim-Lok action forces trim to fit snugly against the ceiling
- Socket mounts directly to top of ball for consistent lamp position
- Lamp tilt 30 degrees, 358 degree positioning
- Steel construction
- Eyeball finish matches trim finish

- Can be used in 45° sloped ceilings with P87-AT, P87-ATQC, and P187-TG housings

Options

- White (-28) or chestnut (-36) painted finishes
- Brushed nickel (-09) polished brass (-10), or antique bronze (-20) plated finishes

Labels

- UL-CUL damp location listed

Photometrics

- Refer to PAR 30 & BR30 lamp application data

## BR30 and PAR30 Lamp Application Data for Recessed Eyeball Units

Figure 1  
Single fixture

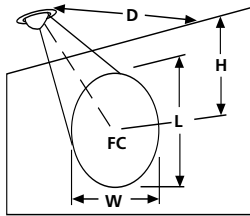
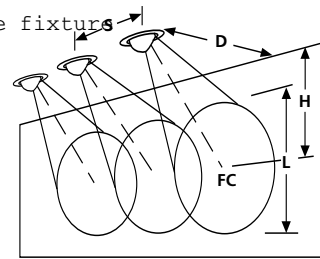


Figure 2  
Multiple fixtures



BR30 Flood Lamp



Walls and Vertical Objects															
H	F.C.	L	W	S	H	F.C.	L	W	S	H	F.C.	L	W	S	
D = 2 FT					D = 3 FT					D = 4 FT					
65BR30FL	4	12	*	4.7	3.6	5	8	*	6.1	4.7	7	4	*	8.4	6.4
CBCP - 525	5	7	*	5.6	4.3	6	5	*	7.0	5.4	8	3	*	9.3	7.2
Beam - 55 deg.	6	4	*	6.6	5.1	7	4	*	7.9	6.1	9	2	*	10.2	7.9

BR30 Spot Lamp



Walls and Vertical Objects															
H	F.C.	L	W	S	H	F.C.	L	W	S	H	F.C.	L	W	S	
D = 2 FT					D = 3 FT					D = 4 FT					
65BR30SP	4	36	4.0	1.6	1.5	5	25	4.4	2.1	2.0	7	12	6.3	2.8	2.7
CBCP - 1625	5	21	6.3	1.9	1.8	6	16	6.1	2.4	2.3	8	9	8.1	3.2	3.0
Beam - 20 deg.	6	13	9.8	2.2	2.1	7	11	8.2	2.7	2.6	9	7	10.1	3.5	3.3

PAR30 Flood Lamps



Walls and Vertical Objects															
H	F.C.	L	W	S	H	F.C.	L	W	S	H	F.C.	L	W	S	
D = 2 FT					D = 3 FT					D = 4 FT					
50PAR30/HIR/FL	4	33	10.6	2.8	2.5	5	59	9.8	3.7	3.2	7	12	14.7	5.1	4.5
CBCP - 1500	5	19	24.2	3.4	3.0	6	36	15.8	4.2	3.7	8	8	21.1	5.7	5.0
Beam - 35 deg.	6	12	*	4.0	3.5	7	23	26.6	4.8	4.2	9	6	30.6	6.2	5.5
50PAR30FL	4	31	10.6	2.8	2.5	5	21	9.8	3.7	3.2	7	11	14.7	5.1	4.5
CBCP - 1400	5	18	24.2	3.4	3.0	6	14	15.8	4.2	3.7	8	8	21.1	5.7	5.0
Beam - 35 deg.	6	11	*	4.0	3.5	7	10	26.6	4.8	4.2	9	6	30.6	6.2	5.5
75PAR30FL	4	44	10.6	2.8	2.5	5	30	9.8	3.7	3.2	7	15	14.7	5.1	4.5
CBCP - 2000	5	26	24.2	3.4	3.0	6	20	15.8	4.2	3.7	8	11	21.1	5.7	5.0
Beam - 35 deg.	6	16	*	4.0	3.5	7	14	26.6	4.8	4.2	9	8	30.6	6.2	5.5
75PAR30FL-L	4	69	5.6	2.0	1.9	5	47	5.8	2.6	2.4	7	24	8.4	3.9	3.3
CBCP - 3100	5	40	9.3	2.4	2.2	6	31	8.3	3.0	2.8	8	17	11.1	4.0	3.7
Beam - 25 deg.	6	24	16.0	2.8	2.6	7	21	11.7	3.4	3.2	9	13	14.3	4.4	4.1

PAR30 Spot Lamps



Walls and Vertical Objects															
H	F.C.	L	W	S	H	F.C.	L	W	S	H	F.C.	L	W	S	
D = 3 FT					D = 4 FT					D = 5 FT					
50PAR30/HIR/NSP	5	197	1.8	0.9	0.9	7	100	2.6	1.3	1.3	9	59	3.4	1.6	1.6
CBCP - 13,000	6	128	2.4	1.1	1.0	8	72	3.2	1.4	1.4	10	46	4.1	1.8	1.7
Beam - 9 deg.	7	88	3.1	1.2	1.2	9	55	3.9	1.5	1.5	11	37	4.8	1.9	1.9
50PAR20NSP	5	105	2.0	1.0	1.0	7	53	2.9	1.4	1.4	9	31	3.8	1.8	1.8
CBCP - 6,900	6	68	2.7	1.2	1.2	8	38	3.6	1.6	1.6	10	25	4.5	2.0	1.9
Beam - 10 deg.	7	47	3.5	1.3	1.3	9	29	4.4	1.7	1.7	11	19	5.3	2.1	2.1
75PAR30NSP	5	197	2.0	1.0	1.0	7	100	2.9	1.4	1.4	9	59	3.8	1.8	1.8
CBCP - 13,000	6	128	2.7	1.2	1.2	8	72	3.6	1.6	1.6	10	46	4.5	2.0	1.9
Beam - 10 deg.	7	88	3.5	1.3	1.3	9	55	4.4	1.7	1.7	11	37	5.3	2.1	2.1
75PAR30NSP-L	5	137	2.0	1.0	1.0	7	69	2.9	1.4	1.4	9	41	3.8	1.8	1.8
CBCP - 9,000	6	89	2.7	1.2	1.2	8	50	3.6	1.6	1.6	10	32	4.5	2.0	1.9
Beam - 10 deg.	7	61	3.5	1.3	1.3	9	38	4.4	1.7	1.7	11	25	5.3	2.1	2.1

Walls and Vertical Objects

H	Height from ceiling to center of beam
D	Distance from fixture to wall
F.C.	Footcandles at center of beam
L	Length of effective lighted area
W	Width of effective lighted area
S	Spacing of multiple fixtures to effectively light wall
*	Length of lighted area is in excess of 30 feet

Data assumes a maximum tilt of 30 degrees.

For horizontal surface data refer to Lamp Application Data sheets.

CBCP - Center Beam Candlepower