



Incandescent

**Fortune**

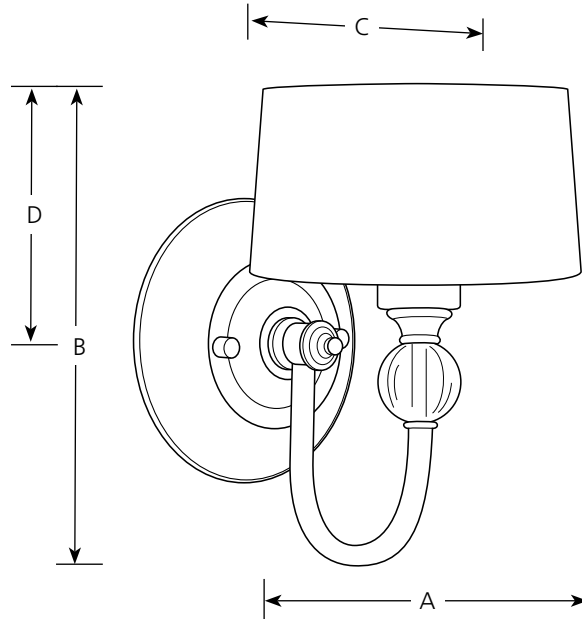
**Sconces**

Type \_\_\_\_\_

-104WB

P7049

Catalog No.	Finish Polished Nickel	Lamping	Dimensions (Inches)			
			A	B	C	D
P7049	-104WB	1 (c) (Krypton) 60w (included)	5-7/8	8-3/4	7-3/4	4-5/8



**Specifications:**

General

- Opal etched drum shade: 5-7/8" dia., 3-3/8" ht.
- Polished Nickel is a plated finish
- Steel construction
- Companion Bath and Vanity, Chandelier, Pendant, Sconce, fixtures are available

Electrical

- G16-1/2 base sockets
- Pre-wired

Labeling

- UL-CUL Damp location listed

Mounting

- Wall mount
- Back plate covers a standard 4" hexagonal recessed outlet box: 5-1/2" dia.
- Mounting strap for outlet box included

Progress Lighting  
701 Millennium Blvd.  
Greenville, South Carolina  
29607

www.progresslighting.com

Rev. 08/13