

Type \_\_\_\_\_

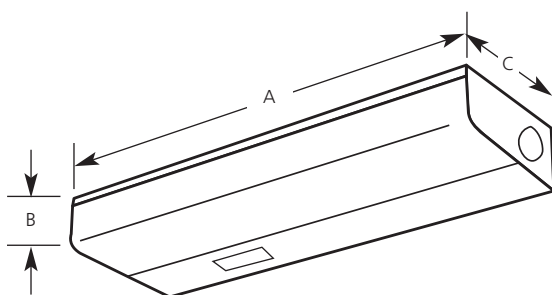
-30    -30WB

P7017

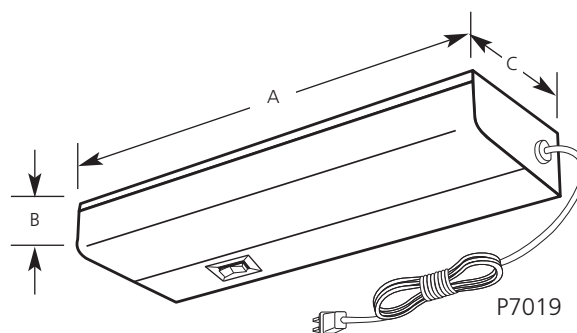
P7018

P7019

Catalog No.	Finish	Starter	Lamping	Dimensions (Inches)		
	White	Switch		A	B	C
P7017	-30	Yes	1-F15 T8	18-3/8	1-5/8	4
P7018	-30	No	1-F15 T8	18-3/8	1-5/8	4
P7019	-30WB	Yes	1-F15 T8	18-3/8	1-5/8	4



P7018



P7019

**Specifications:**

General

- Trim, energy efficient fluorescent
- White baked enamel housing
- White acrylic diffuser: 18.313" L x 2.362" W x 1.406" D
- Diffuser snaps securely into place without the use of tools
- Steel chassis and ballast cover
- P7019 comes complete with 6 foot cord & plug and 15w T8 lamp

Mounting

- Surface mounts under cabinets and shelves, over a desk, in kitchen or work area

Electrical

- 120V NPF ballast
- K.O. for G.C.O.
- K.O. for rocker switch (P8603-01 accessory) on P7018-30

Labeling

- UL-CUL damp location listed