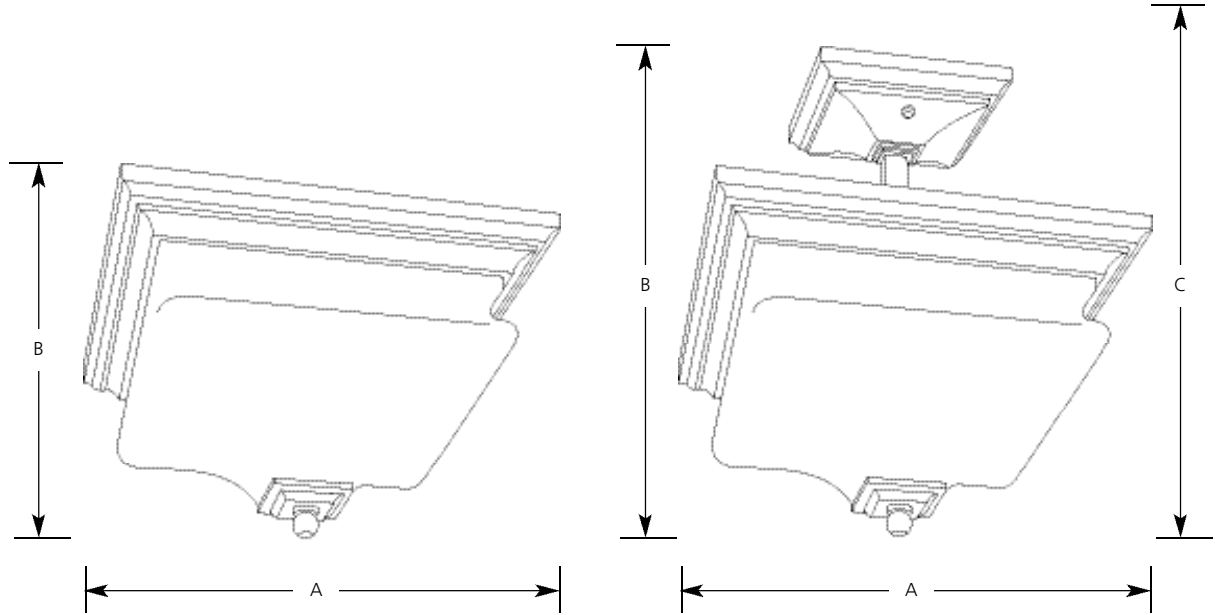


Type _____
 -09 -74
 P3364
 P3365

Catalog No.	Finish		Lamping	Dimensions (Inches)		
	Brushed Nickel	Venetian Bronze		A	B	C
P3364	-09	-74	2 (m) 60w	12-5/8	7-3/4	N/A
P3365	-09	-74	2 (m) 75w	12-5/8	17	92



Specifications:

General

- Etched white opal glass sculpted shade
- Square design
- P3365 is a semi-flush design, chain or direct ceiling mounted
- Steel construction
- Plated brushed nickel or hand painted venetian bronze finish
- Companion chandeliers, hall & foyer, pendant, and bath and vanity units

Electrical

- Ceramic medium based socket
- 15 feet of wire on P3365
- Pre-wired

Labeling

- UL-CUL damp location (3364) listed

Mounting

- Ceiling mounted. P3365 can also be chain mounted
- Canopy or housing covers a standard recessed 4" octagonal outlet box
- Mounting strap for outlet box included