



Incandescent

Onion Lantern

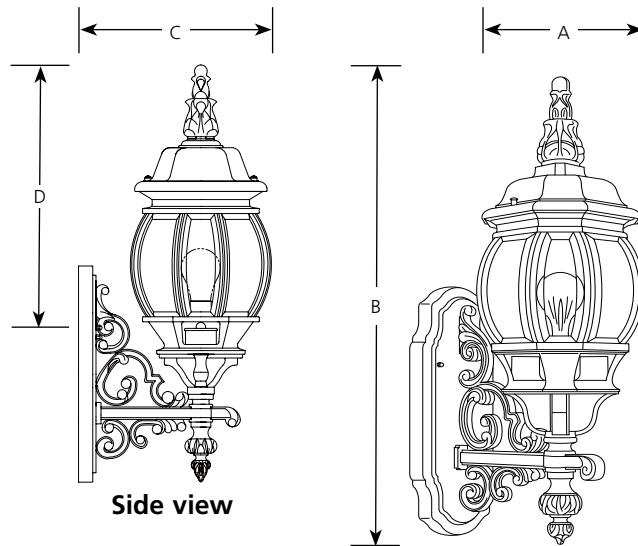
Outdoor

Type _____
-31

P5878

Finish

Catalog No.	Textured Black	Lamping	Dimensions (Inches)			
			A	B	C	D
P5878	-31	1 (m) 100w	6-1/2	21-1/4	10	13-1/8



Specifications:

General

- Clear beveled glass curved panels
- Painted Textured Black (-31) finish
- Die-cast aluminum construction
- Solid brass interior components
- Cast wall plate
- Companion Chain hung lantern, Post top lantern, Wall lantern, fixtures are available

Electrical

- Medium base porcelain socket
- 6" of wire supplied
- Pre-wired

Labeling

- UL-CUL Wet location listed

Mounting

- Wall mount
- Back plate covers a standard 4" hexagonal recessed outlet box: 4-1/2" W., 12" ht.
- Mounting strap for outlet box included

Progress Lighting
701 Millennium Blvd.
Greenville, South Carolina
29607

www.progresslighting.com

Rev. 02/14