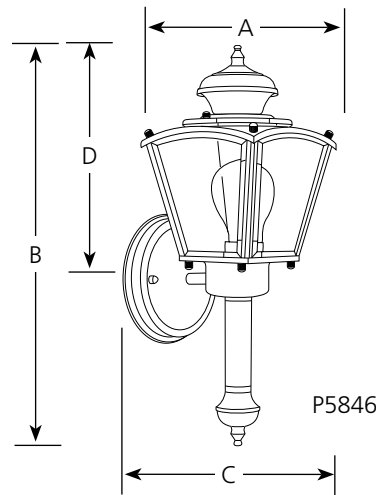


Type _____
 -31
 P5846

Catalog No.	Finish		Lamping	Dimensions (Inches)			
	Black			A	B	C	D
P5846	-31		1 (m) 60w	5-1/4	14-11/16	5-15/16	8-3/8



Specifications:

General

- Clear beveled glass panels: 4-3/4" W., 2-3/4" ht.
- Coach style
- Painted Black (-31) finish
- Aluminum construction
- Brass Guard finish coat
- Lamp replacement, remove top of unit
- Companion Post top lantern, Wall lantern, fixtures are available

Mounting

- Wall mount
- Back plate covers a standard 4" hexagonal recessed outlet box
- Mounting strap for outlet box included

Electrical

- Medium base ceramic socket
- 6" of wire supplied
- Pre-wired

Labeling

- UL-CUL Wet location listed