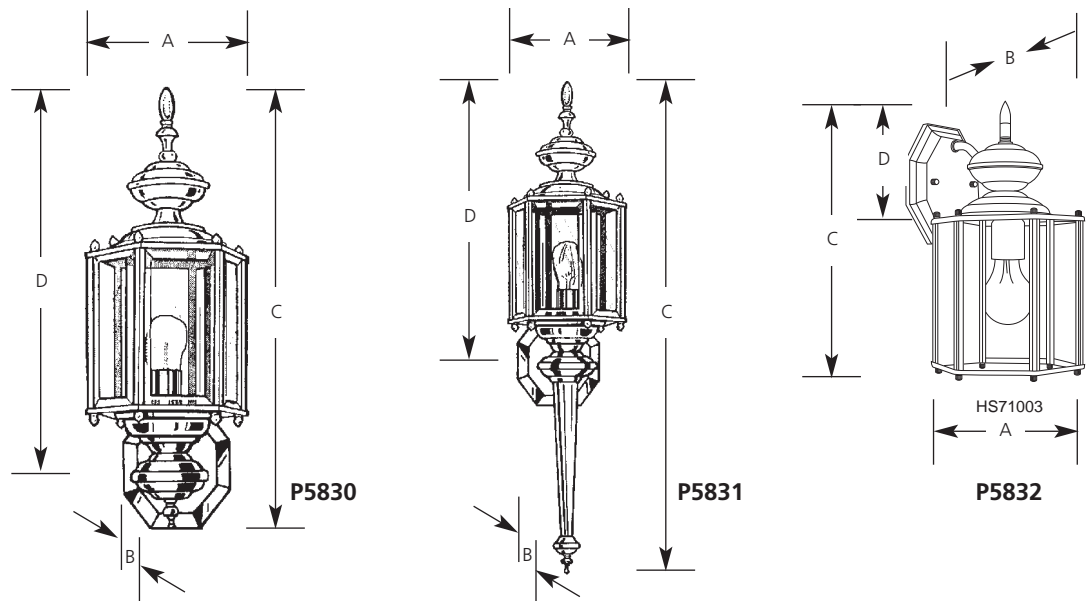


	Type		
	-09	-10	-11
P5830 NA	<input type="checkbox"/>	<input type="checkbox"/>	<input type="checkbox"/>
P5831	<input type="checkbox"/>	<input type="checkbox"/>	<input type="checkbox"/>
P5832 NA	<input type="checkbox"/>	<input type="checkbox"/>	<input type="checkbox"/>

Catalog No.	Finish			Lamping	Dimensions (Inches)			
	Brushed Nickel	Polished Brass	Weathered Brass		A	B	C	D
P5830	NA	-10	-11	1-100w A19	7	7	18-1/2	15-1/4
P5831	-09	-10	-11	1-100w A19	7	7	29	15-1/4
P5832	NA	-10	-11	1-100w A19	7	7	14-1/2	5-3/8



Specifications:

General

- Wall lantern - Traditional hexagonal style
- Polished or Weathered Brass finish
- Solid brass construction throughout
- Clear beveled glass: 6-13/16" ht., 3-1/4" W
- Brass guard finish coat
- Clear gasket preinstalled on back plate to isolate it from wall for tarnish protection
- Lamp replacement
 - P5832 - Through bottom opening
 - P5830 & P5831 - Remove top of unit
- Matching post top and chain hung units available

Mounting

- Wall mounted
- Covers standard junction box
- Mounting strap for outlet box and cap nuts provided
- Back plate - 4-3/4" W., 5-1/2" ht.

Electrical

- Medium based sockets are porcelain with nickel plated brass screw shell

Labeling

- UL-CUL wet location listed