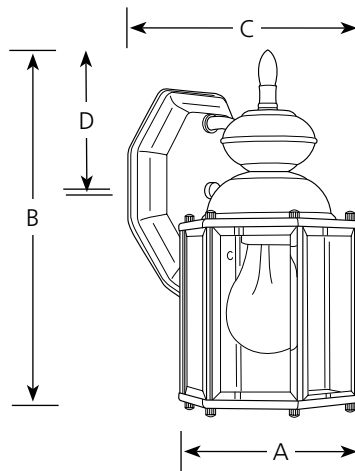


Type	_____		
	-09	-10	-31
P5756	<input type="checkbox"/>	<input type="checkbox"/>	<input type="checkbox"/>

Catalog No.	Finish			Lamping	Dimensions (Inches)			
	Brushed Nickel	Polished Brass	Black		A	B	C	D
P5756	-09	-10	-31	1 (m) 100w	5-3/8	10-1/4	5-5/8	3-3/4



**Specifications:**

General

- Clear beveled glass: 2-3/8" W x 5" ht.
- Small hexagonal style
- Plated Brushed Nickel (-09) and Polished Brass (-10) finishes
- Painted Black (-31) finish
- Solid brass construction
- Brass guard finish coat
- Clear gasket preinstalled on back plate to isolate it from wall for tarnish protection
- Lamp replacement through bottom opening
- Matching post top, larger wall and chain hung units available

Mounting

- Wall mount
- Back plate covers a standard recessed octagonal 4" outlet box
- Outlet box mounting strap provided
- Back plate is 4-3/4" W, and 5-1/2" ht.

Electrical

- Pre-wired
- Ceramic medium based sockets

Labeling

- UL-CUL wet location listed