



Incandescent

Derby

Outdoor

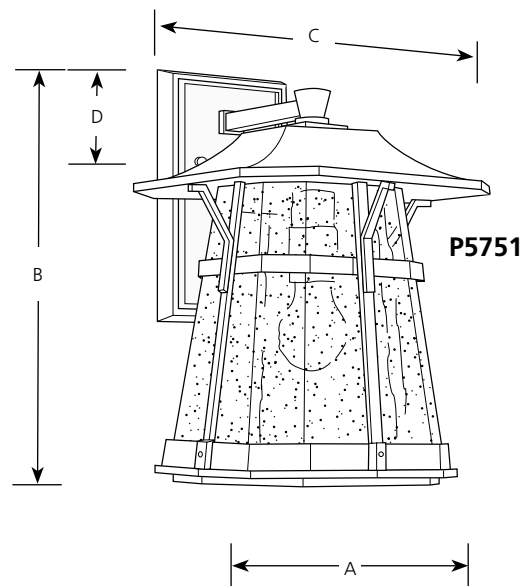
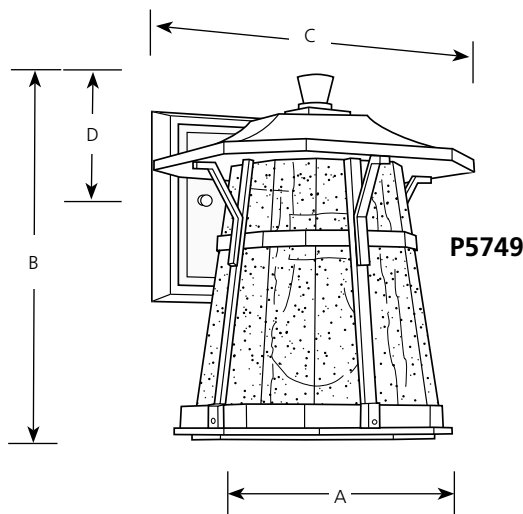
Type _____
-84

P5749

P5750

P5751

Catalog No.	Finish	Lamping	Dimensions (inches)			
			A	B	C	D
P5749	-84	1 (m) 100w	6-1/2	8-5/8	7-3/8	3
P5750	-84	1 (m) 100w	8-1/2	11-1/4	9-3/8	4-1/4
P5751	-84	1 (m) 100w	10-5/8	15-1/2	11-5/8	3-3/8



Specifications:

General

- Clear seeded blown glass diffuser
- Espresso and Textured Black powdercoat (-84) finish
- Cast aluminum construction
- Companion Chain hung lantern, Close-to-ceiling, Post top lantern, Wall lantern, fixtures are available

Electrical

- Medium base ceramic socket with nickel-plated brass screw shell
- Pre-wired

Labeling

- cCSAus Wet location listed

Mounting

- Wall mount
- Back plate covers a standard 4" hexagonal recessed outlet box
- Mounting strap for outlet box included

Progress Lighting
701 Millennium Blvd.
Greenville, South Carolina
29607

www.progresslighting.com