



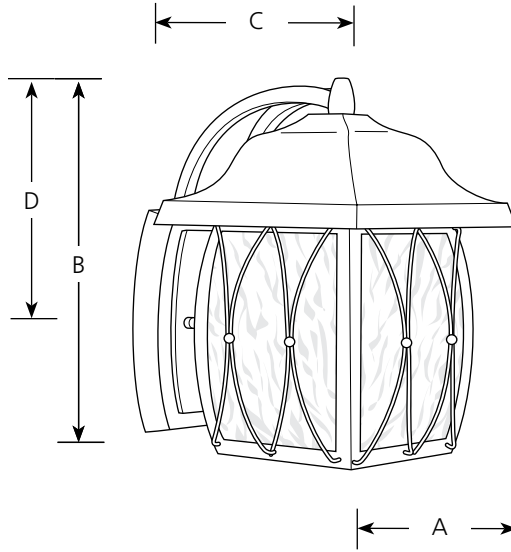
Compact Fluorescent

Montreux CFL
Energy Star

Outdoor

Type _____
-20STR
P5692

Catalog No	Finish	Lamping	Dimensions (Inches)			
	Antique Bronze		A	B	C	D
P5692	-20STR	1-18w CFL	8	11-5/8	6-1/8	7-7/8



Specifications:

General

- Square country manor styling with roof
- Antique distressed glass panels: 5-7/8" w x 9-1/8" ht.
- Curved wire details over glass panels
- Cast aluminum construction
- Painted or acid antique bronze finish
- Energy Star certified


Mounting

- Wall mount
- Square wall canopy covers a standard recessed 4" octagonal outlet box
- Backplate: 5-1/2" x 7-1/2" x 1"
- Mounting strap for outlet box included.

Electrical

- GU24 based socket
- 120v NPF electronic ballast
- Unit will start down to 0 degrees F
- Integral photocell turns unit off during daytime
- Pre-wired

Labeling

-  wet location listed



Progress Lighting
701 Millennium Blvd.
Greenville, South Carolina
29607

www.progresslighting.com

Rev. 3/09