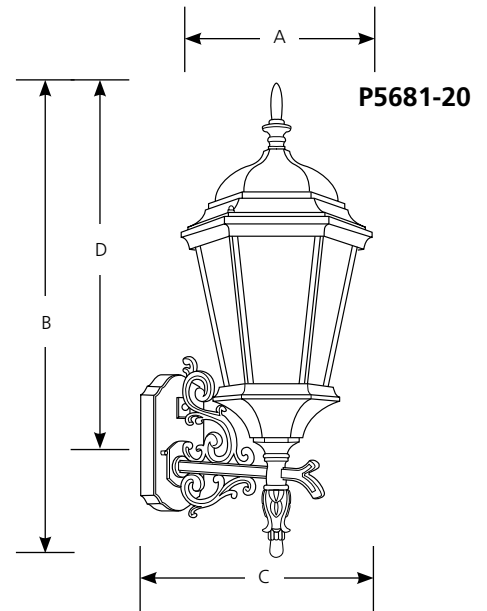
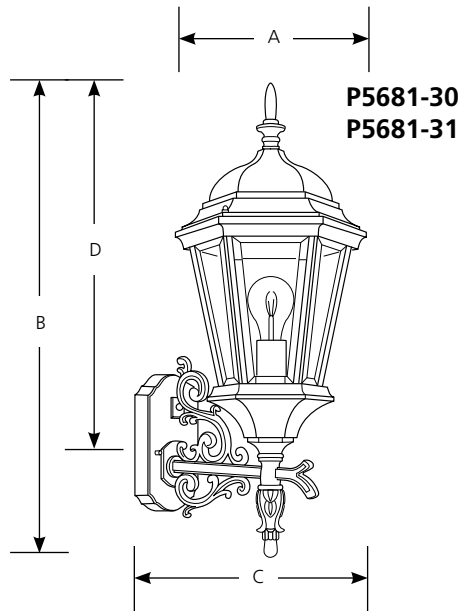


Catalog No.	Finish			Lamping	Dimensions (Inches)			
	Antique Bronze	Textured White	Textured Black		A	B	C	D
P5681	-20	-30	-31	1 (m) 100w	6-1/2"	16-5/8"	9-11/16	13-1/4



**Specifications:**

General

- Etched glass panels (-20), Clear beveled glass panels (-30, -31): 3-3/4" Top, 2-5/16" Bottom, 7-1/16" ht.
- Die-cast aluminum construction
- Solid brass interior components
- Cast Wall plate
- Painted Antique Bronze (-20), Textured White (-30), Textured Black (-31) finishes
- Each glass panel replaceable
- Matching post and chain hung units available

Mounting

- Wall mount
- Covers standard junction box
- Mounting strap for outlet box and center cap nut furnished
- Back plate 4-1/2"w x 7"h

Electrical

- Medium base ceramic socket
- 6" of wire supplied
- Pre-wired

Labeling

UL-CUL Wet location