



Incandescent

Clear Prismatic Glass

Pendant

Type \_\_\_\_\_

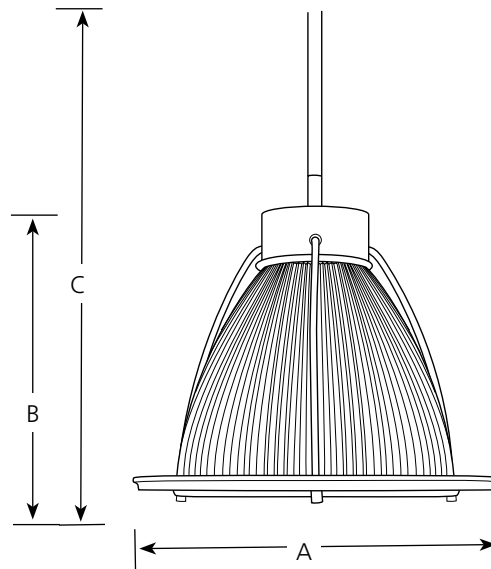
-09

P5182

P5183

**Finish**

Catalog No.	Brushed Nickel	Lamping	Dimensions (Inches)		
			A	B	C
P5182	-09	1 (m) 100w	12-5/8	11	53
P5183	-09	1 (m) 150w	16	13-1/2	56



**Specifications:**

General

- Clear prismatic glass shade
- Three tubular arms attached to bottom ring support the glass
- Plated finish
- Steel construction
- Two 6", one 12", and one 15" matching stem sections supplied with concealed connectors
- Companion fixtures: P5163 pendant, and P6182 mini pendant in the IllumaFlex track line

Mounting

- Ceiling mount on stem
- Canopy Covers a standard 4" octagonal recessed outlet box
- Mounting strap for outlet box included

Electrical

- Pre-wired
- 10 feet of wire
- Ceramic medium based socket

Labeling

- UL-CUL listed

Progress Lighting  
701 Millennium Blvd.  
Greenville, South Carolina  
29607

www.progresslighting.com