



Metal Halide  
Trim

**8" Pro-Optic Baffle**  
**Vertical Lamp**  
**Non-IC**

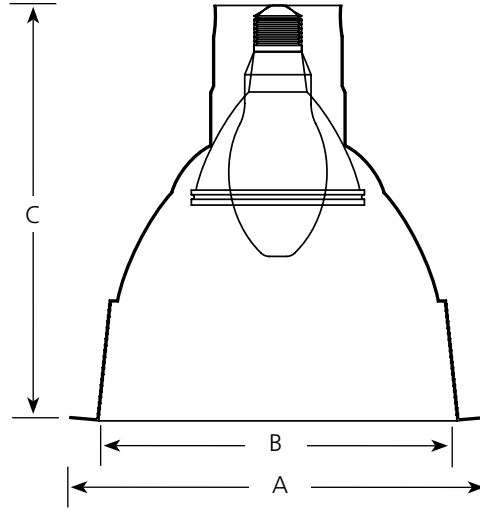
Recessed

Type \_\_\_\_\_  
-28      -31  
P8117       

**Finish**

Catalog No.	Finish		Dimensions (Inches)		
	White	Black	A	B	C
P8117	-28	-31	9	7-3/4	10

Maximum Ceiling Thickness: 1-1/4"



**Lamp Wattage**

Housing	IC	Non-IC
P8202-EB	N/A	1-70w ED17 or PAR30L MH
P8203-EB	N/A	1-100w ED17 MH

**Specifications:**

Flange

- White painted metal flange
- All aluminum construction
- One piece construction with integral flange
- No light leaks around trim flange
- Socket cup mounts to reflector for optimum performance and consistent lamp position
- Reflector retention accomplished by spring clips located in aperture of housing
- Spun aluminum multigrove step baffle
- White (-28) or Black (-31) painted lower baffle
- Anodized Alzak upper conoid reflector

Labeling

- UL-CUL listed for damp locations
- Non-IC rated

Progress Lighting  
701 Millennium Blvd.  
Greenville, South Carolina  
29607