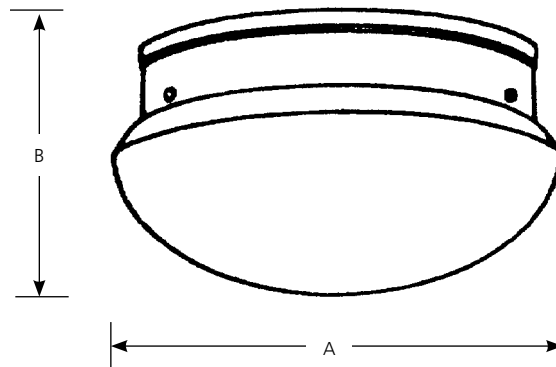


Type _____
 -30
 P7312

Catalog No.	Finish		Lamping	Socket	Dimensions (Inches)	
	White				A	B
P7312	-30		2-13w Twin 2-pin CF	GX23	11-3/4	5-3/4



Specifications:

General

- Steel construction
- White painted (-30) finish
- White glass
- 3 installed fitter screws retain glass

Mounting

- Ceiling mount
- Covers outlet box
- Mounting strap for outlet box included
- Keyhole slots for easy mounting

Electrical

- 120V NPF ballasts. For HPF option, consult factory.

- Pre-wired

Labeling

- UL-CUL listed



Compact Fluorescent

10" Fitters
Energy Star

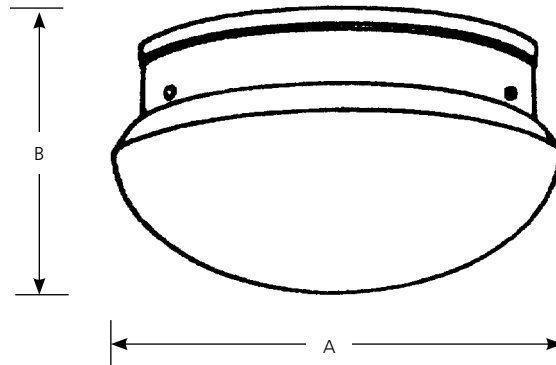
Close-to-Ceiling

Type _____

-09EBWB -10EBWB -30EBWB

P7312

Catalog No.	Finish			Lamping	Dimensions (Inches)	
	Brushed Nickel	Polished Brass	White		A	B
P7312	-09EBWB	-10EBWB	-30EBWB	2-13w GU24 (included)	11-3/4	5-3/4



Specifications:

General

- White glass
- 3 installed fitter screws retain glass
- Plated brushed nickel (-09), polished brass (-10) or white painted (-30) finishes
- Units comply with Energy Star requirements
- Complete with two 13 watt GU24 self-ballasted compact fluorescent lamps
- Steel construction

Mounting

- Ceiling mount
- Fixture housing covers a standard 4" octagonal recessed outlet box
- Mounting strap for outlet box included
- Keyhole slots for easy fixture mounting

Electrical

- Pre-wired
- GU24 based sockets

Labeling

- cCSAus damp location listed



Progress Lighting
701 Millennium Blvd.
Greenville, South Carolina
29607

www.progresslighting.com