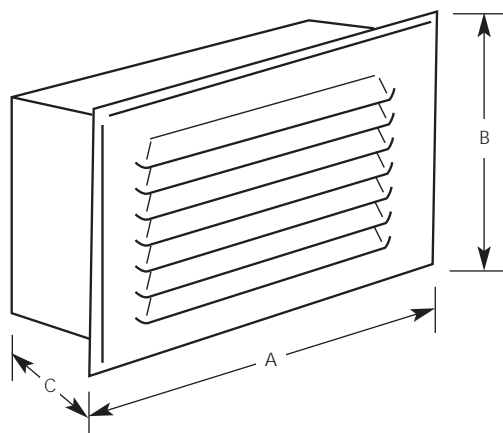


Type _____
-30
P6821

Catalog No.	Finish	Lamping	Dimensions (Inches)		
	White		A	B	C
P6821	-30	1-7w or 9w CF	8-5/8	5-7/8	3-1/2
			Wall Opening = 5 x 7-5/8		



Specifications:

Face Plate

- White powder coated steel
- Louver has linear baffles to direct all light downward
- Gasketed for light leak prevention
- Both fasten to housing with torsion springs

Housing

- White steel
- Interior wiring compartment
- Two 1/2" KO's for wiring
- For indoor and protected outdoor use
- Units must be mounted at least 3" from any insulation
- Mounting clips for direct mounting to wall board are provided
- Housing has brackets to accept P8716-01 hanger bars, if required

Electrical

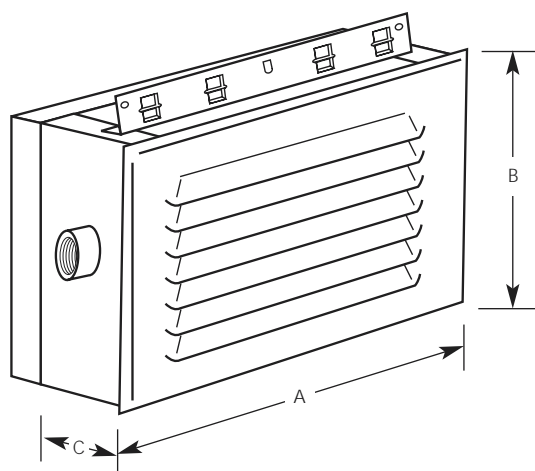
- 120v NPF magnetic ballast
- G23 base lampholder
- Multiple units can be wired together without the need of separate junction boxes
- Minimum start temperature
7w -0° F
9w +32° F

Labeling

- UL-CUL damp location listed

Type _____
 -30FB
 P6821

Catalog No.	Finish White	Lamping	Dimensions (Inches)		
			A	B	C
P6821	-30FB	1-7w or 9w CF	9-1/8	6-3/8	4



*Lamp not included

Specifications:

Face Plate

- White powder coated steel
- Louver has linear baffles to direct all light downward
- Gasketed for light leak prevention
- Fastens to housing with torsion springs

Housing

- White steel
- Interior wiring compartment
- For indoor and protected outdoor use in new construction
- Units must be mounted at least 3" from any insulation
- Mounting slots for attachment to wall studs
- Housing has brackets to accept P8716-01 hanger bars, if required
- 1/2" IP threaded coupling pre-installed
- Fire rated sheetrock and gasket material attached on 5 sides

Electrical

- 120v NPF magnetic ballast
- G23 base lampholder
- Minimum start temperature
 7w -0° F
 9w +32° F
- Grounding pigtail provided

Labeling

- UL-CUL damp location listed
- UL Classified to maintain fire ratings of all UL U300 series fire-rated wall assemblies. Rated for one hour or less.

Progress Lighting
 Post Office Box 5704
 Spartanburg, South Carolina
 29304-5704

www.progresslighting.com

