



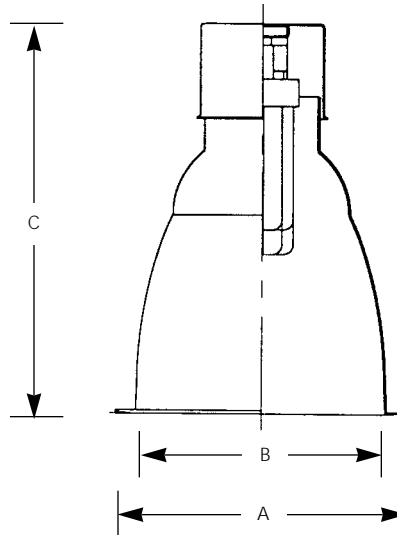
Compact Fluorescent

**6" Deep Alzak® Multiplier Trim**  
Non-IC

**Recessed**

Type	_____		
	-21	-22	-31
P6715	<input type="checkbox"/>	<input type="checkbox"/>	
P8627			<input type="checkbox"/>

Catalog No.	Finish			Dimensions (Inches)		
	Clear Alzak®	Gold Alzak®	Black Baffle	A	B	C
P6715	-21	-22		7-3/4	6-9/16	10-5/8
P8627	(accessory snap-in design)		-31	N/A	N/A	N/A



**Lamp Wattage**

Housing	IC	Non-IC
P13	N/A	13 Twin/Quad
P26	N/A	26 Quad
P632-EB	N/A	26 or 32 Triple tube

**Specifications:**

Flange

- Bright white powder painted metal flange
- No light leaks around trim flange
- Flange covers irregular ceiling openings

Trim

- One-piece aluminum construction
- Designed for use with 13w Twin, 13 or 26w Quad CF and 26 or 32w Triple tube CF lamps
- Socket cup mounts to trim for optimum performance and consistent lamp position
- Trim allows for two socket cup positions; upper position provides optimum performance

Options

- Clear Alzak – specify "21" after catalog number
- Gold Alzak – specify "22" after catalog number
- Black baffle insert – order P8627-31

Labeling

- UL-CUL damp location listed
- Meets Energy Star requirements when used with P632-EB housing



Progress Lighting  
Post Office Box 5704  
Spartanburg, South Carolina  
29304-5704

www.progresslighting.com

Rev. 12/99

# P632

## P632 WITH P6715-21

Report No. 98010

No. Lamps: 1 Type Lamp: 32W TRIPLE CF-SYLVANIA Total Lumens: 2400

Fixture Efficiency: 54.7%

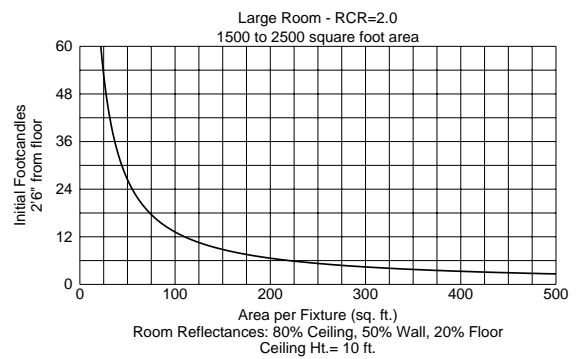
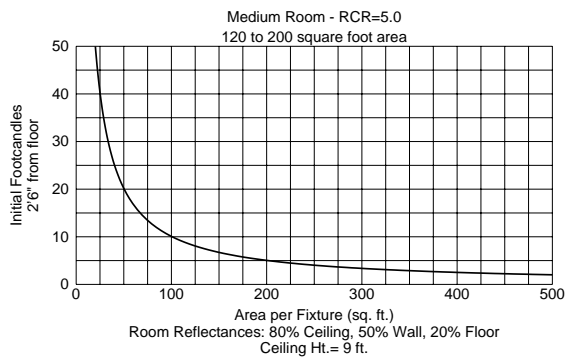
S/MH Ratio: 1.1

### Single Fixture Data

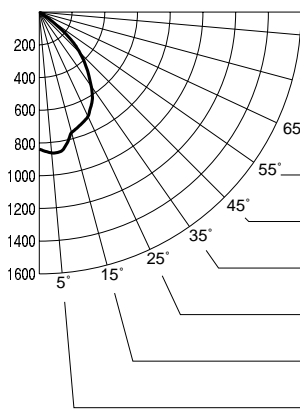
Ceiling Ht.(Ft.)	10% Values		Zero Degrees	50% Values	
	Beam Angle - 96°			Beam Angle - 60°	
	Ft.-C	Beam Dia.	Ft.-C	Ft.-C	Beam Dia.
8	2.8	12	27.7	13.9	6
10	1.5	17	14.9	7.4	9
12	0.9	21	9.3	4.6	11
14	0.6	26	6.3	3.2	13
16	0.5	30	4.6	2.3	16

Ft.-C (Footcandles) are initial and measured 2'-6" from floor

### Quick Calculator Charts



#### DISTRIBUTION CURVE



#### INTENSITY DATA

DEGREES	CANDELA
90	0
85	0
80	1
75	1
70	1
65	2
60	6
55	73
50	226
45	349
40	453
35	554
30	642
25	704
20	734
15	763
10	850
5	864
0	838

#### ZONAL CAVITY COEFFICIENTS OF UTILIZATION

Effective Floor Cavity Reflectance 0.20

RC	80				70				50				30				10				0			
	RW	70	50	30	10	70	50	30	10	50	30	10	50	30	10	50	30	10	50	30	10	0		
0	65	65	65	65	64	64	64	64	61	61	61	58	58	58	56	56	56	55						
1	62	60	58	57	60	59	57	56	56	55	54	54	53	53	52	52	51	50						
2	58	55	52	50	57	54	51	49	52	50	48	50	49	47	49	47	46	45						
3	54	50	47	44	53	49	46	44	48	45	43	46	44	42	45	43	42	41						
4	51	46	42	39	50	45	42	39	44	41	39	43	40	38	42	39	38	37						
5	47	42	38	35	46	41	38	35	40	37	35	39	37	35	38	36	34	33						
6	44	39	35	32	43	38	34	32	37	34	32	36	34	31	36	33	31	30						
7	42	36	32	29	41	35	31	29	34	31	29	34	31	29	33	30	28	27						
8	39	33	29	26	38	33	29	26	32	29	26	31	28	26	31	28	26	25						
9	37	31	27	24	36	30	27	24	30	26	24	29	26	24	29	26	24	23						
10	35	28	25	22	34	28	25	22	28	24	22	27	24	22	27	24	22	21						

# P642-EB

## P642-EB WITH P6715-21

Report No. 98160

No. Lamps: 1 Type Lamp: 42W CF TRIPLE-SYLVANIA Total Lumens: 3200

Fixture Efficiency: 62.3%

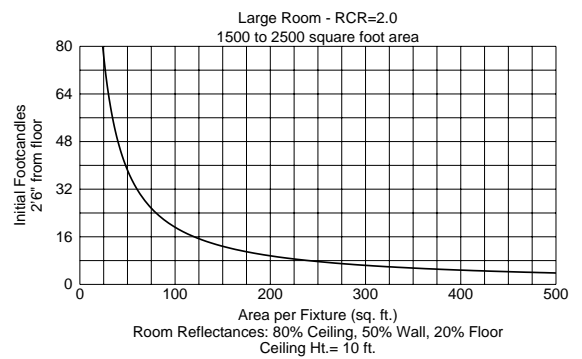
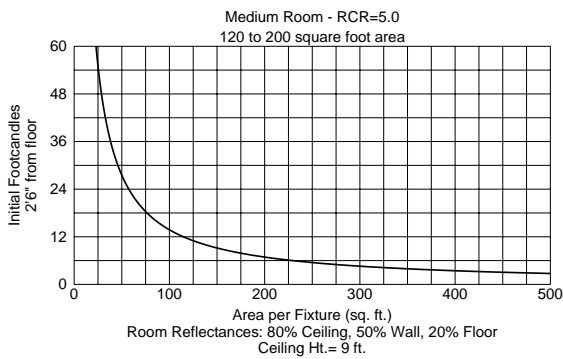
S/MH Ratio: 1.5

### Single Fixture Data

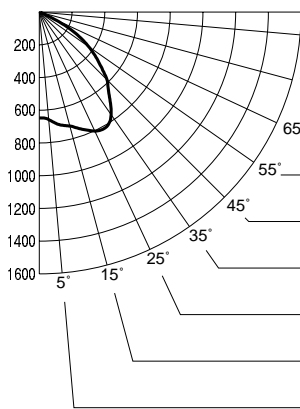
Ceiling Ht.(Ft.)	10% Values		Zero Degrees Ft.-C	50% Values	
	Beam Angle - 111°			Beam Angle - 78°	
	Ft.-C	Beam Dia.		Ft.-C	Beam Dia.
8	2.1	16	21.4	10.7	9
10	1.2	22	11.5	5.8	12
12	0.7	28	7.2	3.6	15
14	0.5	34	4.9	2.4	19
16	0.4	39	3.6	1.8	22

Ft.-C (Footcandles) are initial and measured 2'-6" from floor

### Quick Calculator Charts



### DISTRIBUTION CURVE



### INTENSITY DATA

DEGREES	CANDELA
90	0
85	1
80	2
75	5
70	13
65	88
60	247
55	369
50	473
45	585
40	665
35	765
30	813
25	802
20	762
15	721
10	699
5	660
0	648

### ZONAL CAVITY COEFFICIENTS OF UTILIZATION

Effective Floor Cavity Reflectance 0.20

RC	80				70				50				30				10				0			
	RW	70	50	30	10	70	50	30	10	50	30	10	50	30	10	50	30	10	50	30	10	0		
0	74	74	74	74	72	72	72	72	69	69	69	66	66	66	64	64	64	62						
1	69	67	65	63	68	66	64	62	63	61	60	61	59	58	58	57	57	55						
2	64	60	56	53	63	59	55	53	57	54	52	55	52	50	53	51	49	48						
3	59	53	49	46	58	52	48	45	51	47	44	49	46	44	48	45	43	42						
4	54	48	43	39	53	47	43	39	46	42	39	44	41	38	43	40	38	36						
5	50	43	38	34	49	42	38	34	41	37	34	40	36	33	39	36	33	32						
6	46	39	34	30	45	38	33	30	37	33	30	36	32	29	35	32	29	28						
7	43	35	30	27	42	35	30	26	34	29	26	33	29	26	32	29	26	25						
8	40	32	27	24	39	32	27	24	31	27	23	30	26	23	29	26	23	22						
9	37	29	25	21	36	29	24	21	28	24	21	28	24	21	27	24	21	20						
10	35	27	22	19	34	27	22	19	26	22	19	26	22	19	25	21	19	18						

# P632-EB

## P632-EB WITH P6715-21

Report No. 98158

No. Lamps: 1 Type Lamp: 26W CF TRIPLE-SYLVANIA Total Lumens: 1800

Fixture Efficiency: 57.8%

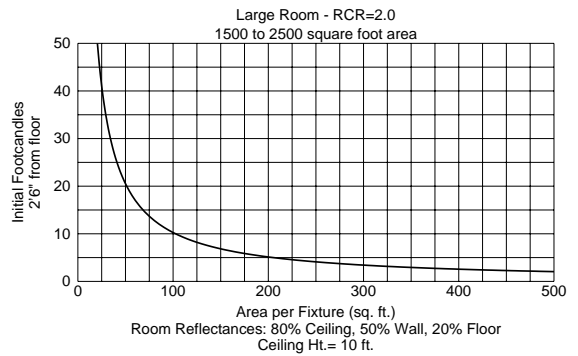
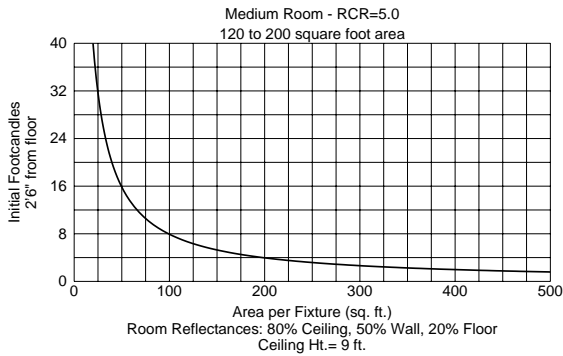
S/MH Ratio: 1.4

### Single Fixture Data

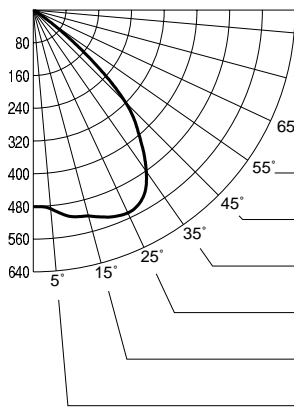
Ceiling Ht.(Ft.)	10% Values		Zero Degrees Ft.-C	50% Values	
	Beam Angle - 99°			Beam Angle - 73°	
	Ft.-C	Beam Dia.		Ft.-C	Beam Dia.
8	1.6	13	15.9	7.9	8
10	0.9	18	8.5	4.3	11
12	0.5	22	5.3	2.7	14
14	0.4	27	3.6	1.8	17
16	0.3	32	2.6	1.3	20

Ft.-C (Footcandles) are initial and measured 2'-6" from floor

### Quick Calculator Charts



#### DISTRIBUTION CURVE



#### INTENSITY DATA

DEGREES	CANDELA
90	0
85	0
80	1
75	1
70	2
65	4
60	9
55	46
50	168
45	319
40	404
35	482
30	533
25	547
20	539
15	521
10	512
5	488
0	481

#### ZONAL CAVITY COEFFICIENTS OF UTILIZATION

Effective Floor Cavity Reflectance 0.20

RC	80				70				50				30				10				0			
	RW	70	50	30	10	70	50	30	10	50	30	10	50	30	10	50	30	10	50	30	10	0		
0	69	69	69	69	67	67	67	67	64	64	64	61	61	61	59	59	59	58						
1	65	63	61	60	63	62	60	59	59	58	57	57	56	55	55	54	54	53						
2	61	57	55	52	59	56	54	52	54	52	51	53	51	49	51	50	48	47						
3	57	52	49	46	56	51	48	46	50	47	45	48	46	44	47	45	43	42						
4	53	48	44	41	52	47	43	41	46	43	40	44	42	40	43	41	39	38						
5	49	44	39	36	48	43	39	36	42	38	36	41	38	36	40	37	35	34						
6	46	40	36	33	45	39	35	33	38	35	32	38	34	32	37	34	32	31						
7	43	37	32	29	42	36	32	29	35	32	29	35	31	29	34	31	29	28						
8	40	34	30	27	40	33	29	27	33	29	26	32	29	26	31	28	26	25						
9	38	31	27	24	37	31	27	24	30	27	24	30	26	24	29	26	24	23						
10	36	29	25	22	35	29	25	22	28	24	22	28	24	22	27	24	22	21						

# P632

## P632 WITH P6715-22

Report No. 98016

No. Lamps: 1 Type Lamp: 26W TRIPLE CF-SYLVANIA Total Lumens: 1800

Fixture Efficiency: 48.7%

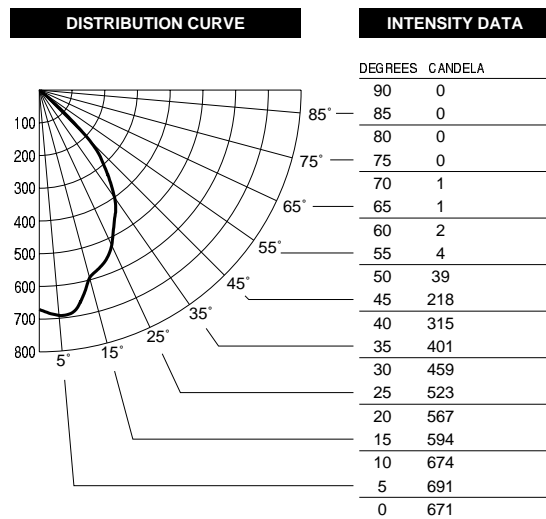
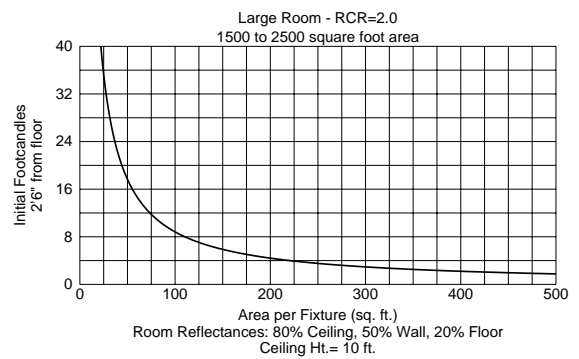
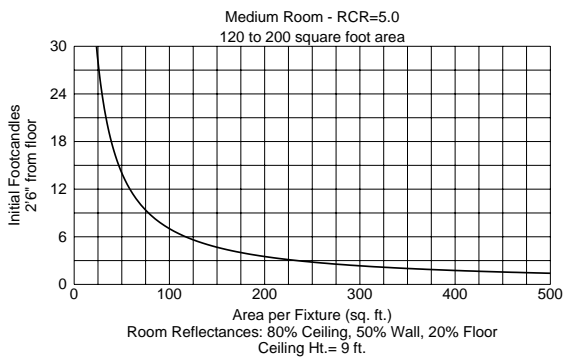
S/MH Ratio: 1.1

### Single Fixture Data

Ceiling Ht.(Ft.)	10% Values		Zero Degrees Ft.-C	50% Values	
	Beam Angle - 91°			Beam Angle - 56°	
	Ft.-C	Beam Dia.		Ft.-C	Beam Dia.
8	2.2	11	22.2	11.1	6
10	1.2	15	11.9	6.0	8
12	0.7	19	7.4	3.7	10
14	0.5	23	5.1	2.5	12
16	0.4	28	3.7	1.8	14

Ft.-C (Footcandles) are initial and measured 2'-6" from floor

### Quick Calculator Charts



#### ZONAL CAVITY COEFFICIENTS OF UTILIZATION

Effective Floor Cavity Reflectance 0.20

RC	80				70				50				30				10				0			
	70	50	30	10	70	50	30	10	50	30	10	50	30	10	50	30	10	50	30	10	50	30	10	0
0	58	58	58	58	57	57	57	57	54	54	54	52	52	52	50	50	50	49	49	49	47	46	46	45
1	55	54	52	51	54	53	51	50	51	50	49	49	48	47	47	46	46	45	45	45	44	43	42	41
2	52	49	47	45	51	49	47	45	47	45	44	45	44	43	44	43	42	41	41	40	39	38	38	38
3	49	46	43	41	48	45	42	40	44	41	40	42	41	39	41	40	38	38	37	36	35	34	34	34
4	46	42	39	37	45	41	39	37	40	38	36	39	37	36	38	37	35	35	34	33	32	32	32	32
5	43	39	36	33	43	38	35	33	37	35	33	37	34	33	36	34	32	32	31	30	29	29	29	29
6	41	36	33	30	40	36	33	30	35	32	30	34	32	30	33	31	30	29	28	27	27	27	27	27
7	38	33	30	28	38	33	30	28	32	30	28	32	29	27	31	29	27	27	26	25	25	25	25	25
8	36	31	28	26	36	31	28	26	30	27	25	30	27	25	29	27	25	25	24	23	23	23	23	23
9	34	29	26	24	34	29	26	24	28	25	24	28	25	23	27	25	23	23	22	22	22	22	22	22
10	32	27	24	22	32	27	24	22	26	24	22	26	24	22	26	24	22	22	21	21	21	21	21	21

# P632

## P632 WITH P6715-22 TRIM

Report No. 98011

No. Lamps: 1 Type Lamp: 32W TRIPLE CF-SYLVANIA Total Lumens: 2400

Fixture Efficiency: 50.3%

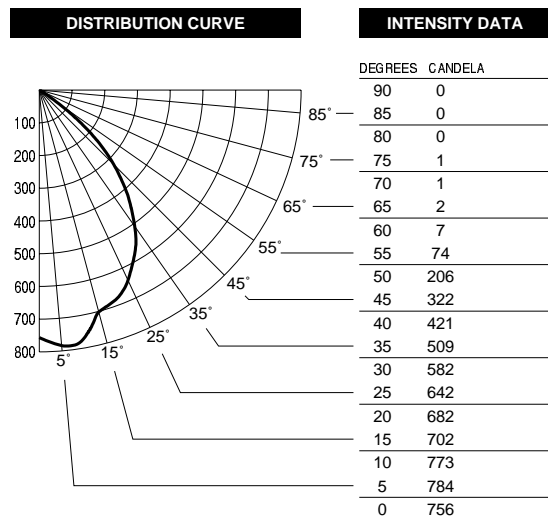
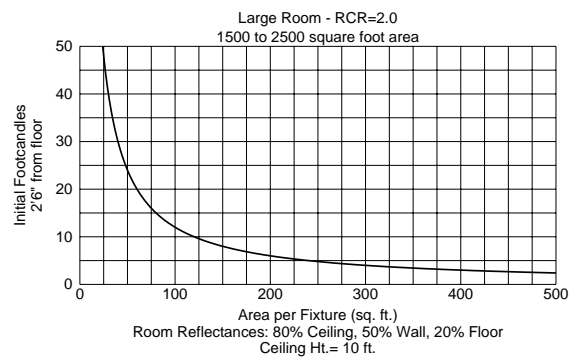
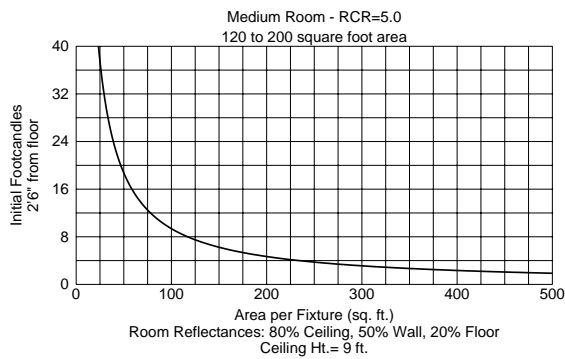
S/MH Ratio: 1.2

### Single Fixture Data

Ceiling Ht.(Ft.)	10% Values		Zero Degrees Ft.-C	50% Values	
	Beam Angle - 96°			Beam Angle - 60°	
	Ft.-C	Beam Dia.		Ft.-C	Beam Dia.
8	2.5	12	25.0	12.5	6
10	1.3	17	13.4	6.7	9
12	0.8	21	8.4	4.2	11
14	0.6	26	5.7	2.9	13
16	0.4	30	4.1	2.1	16

Ft.-C (Footcandles) are initial and measured 2'-6" from floor

### Quick Calculator Charts



#### ZONAL CAVITY COEFFICIENTS OF UTILIZATION

Effective Floor Cavity Reflectance 0.20

RC	80				70				50				30				10				0			
	RW	70	50	30	10	70	50	30	10	50	30	10	50	30	10	50	30	10	50	30	10	0		
0	60	60	60	60	59	59	59	59	56	56	56	54	54	54	51	51	51	51	50					
1	57	55	54	52	55	54	53	51	52	51	50	50	49	48	48	48	47	46						
2	53	50	48	46	52	49	47	45	48	46	44	46	45	43	45	44	43	42						
3	50	46	43	41	49	45	43	40	44	42	40	43	41	39	41	40	38	38						
4	47	42	39	36	46	41	38	36	40	38	36	39	37	35	38	36	35	34						
5	44	39	35	33	43	38	35	32	37	34	32	36	34	32	35	33	31	31						
6	41	35	32	29	40	35	32	29	34	31	29	33	31	29	33	30	29	28						
7	38	33	29	27	37	32	29	27	32	29	26	31	28	26	30	28	26	25						
8	36	30	27	24	35	30	27	24	29	26	24	29	26	24	28	26	24	23						
9	34	28	25	22	33	28	24	22	27	24	22	27	24	22	26	24	22	21						
10	32	26	23	20	31	26	23	20	25	22	20	25	22	20	25	22	20	19						



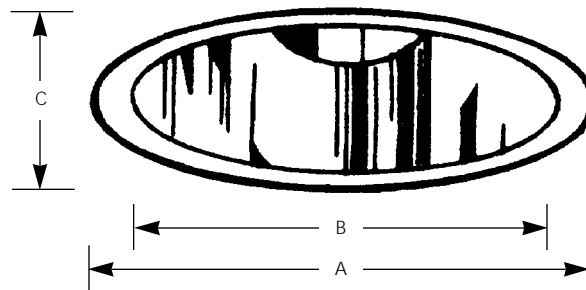
Incandescent Trim

**6" Deep Alzak Multiplier Trim**  
Non-IC

**Recessed**

Type	_____		
	-21	-22	-31
P6715	<input type="checkbox"/>	<input type="checkbox"/>	
P8627			<input type="checkbox"/>

Catalog No.	Finish			Dimensions (Inches)		
	Clear Alzak®	Gold Alzak®	Black Baffle	A	B	C
P6715	-21	-22		7-3/4	6-1/2	10-1/4
P8627	(accessory snap-in design)		-31	N/A	N/A	N/A



Lamp Wattage Housing	IC	Non-IC
P11TG	N/A	75PAR30, 85BR30, 150A21 150PAR38, 120BR40

**Specifications:**

Flange

- Bright white powder coated flange
- No light leaks around trim flange
- Flange covers irregular ceiling openings

Trim

- One piece aluminum construction
- Designed for use with 75w PAR30, 85w BR30, 150w A21, 150w PAR38 or 120w BR40 lamp
- Socket cup mounts to trim for optimum performance and consistent lamp position
- Trim allows for two socket cup position to adjust spread of light output

Options

- Clear Alzak - specify P6715-21
- Black Baffle - specify P6715-22
- Black baffle insert - order P8627-31

Labels

- UL-CUL damp location listed

Photometrics

- Refer to Lamp Application Data for:
  - BR30 & PAR30
  - PAR38 & BR40

Progress Lighting  
Post Office Box 5704  
Spartanburg, South Carolina  
29304-5704

www.progresslighting.com