



Incandescent

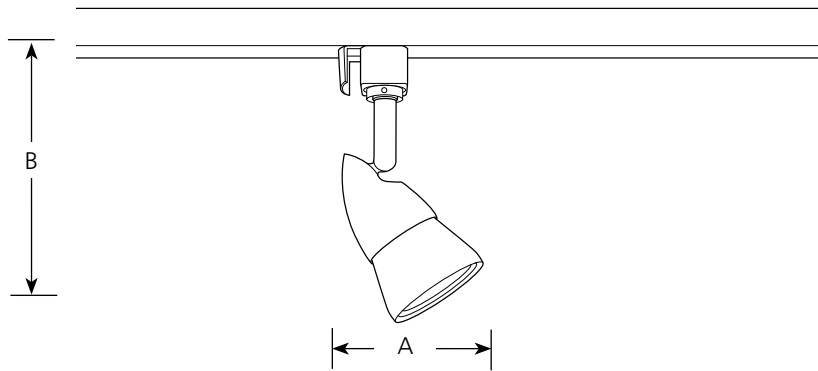
Line Voltage Adjustable Track Head

Track

Type _____

	-09A	-09B	-09R	-09W
P6111	<input type="checkbox"/>	<input type="checkbox"/>	<input type="checkbox"/>	<input type="checkbox"/>

Catalog No.	Finish				Lamping	Dimensions (Inches)	
	Brushed Nickel	Brushed Nickel	Brushed Nickel	Brushed Nickel		A	B
P6111	-09A	-09B	-09R	-09W	1-120v 50w MR16	2-3/8	3-3/4



Specifications:

General

- Polarity oriented
- Quarter turn locking action
- Tab lock to prevent accidental removal
- Plated Brushed Nickel finish
- Die cast aluminum construction

Electrical

- GU10 based lamp socket
- Pre-wired, assembled and ready to install on the track

Labeling

- UL-CUL listed

Mounting

- For use on Track-1 (P6200 series), or Alpha (P9100 series) track
- See current Progress catalog for track and accessories

Progress Lighting
 701 Millennium Blvd.
 Greenville, South Carolina
 29607

www.progresslighting.com

Rev. 7/09