



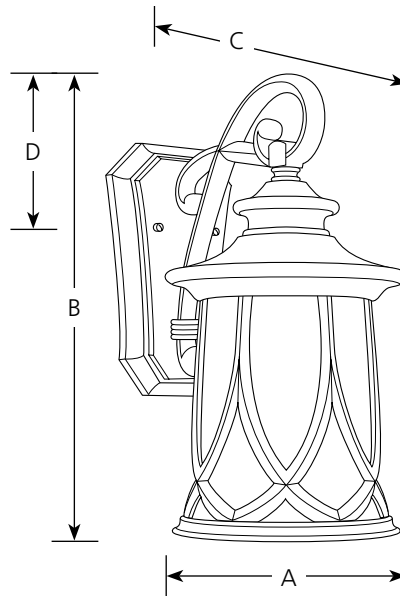
Compact Fluorescent

Resort

Outdoor

Type _____
 -122
 P5988

Catalog No.	Finish		Lamping	Dimensions (Inches)			
	Aged Copper			A	B	C	D
P5988	-122		1 (m) 100w	8-1/2	15-7/8	11-3/8	4-3/4



Specifications:

General

- Etched amber glass shade: 6-9/16" dia., 8-1/8" ht.
- Powder with liquid top coat Aged Copper (-122) finish
- Aluminum construction
- Lamp replacement through bottom opening
- Companion Chain hung lantern, Wall lantern, Post lantern, fixtures are available

Mounting

- Wall mount
- Back plate covers a standard 4" hexagonal recessed outlet box
- Mounting strap for outlet box included

Electrical

- Medium base ceramic socket
- 6" of wire
- Pre-wired

Labeling

- cCSAus Wet location listed

Progress Lighting
 701 Millennium Blvd.
 Greenville, South Carolina
 29607

www.progresslighting.com

Rev. 01/14