

Type _____

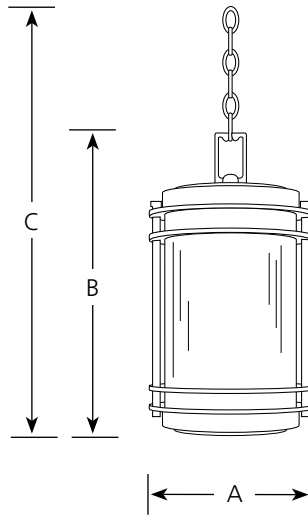
-108

P5503

Finish

Dimensions (Inches)

Catalog No.	Antique Nickel	Lamping	Dimensions (Inches)		
			A	B	C
P5503	-108	1 (m) 100w	8	14-1/4	89-1/4



General

- Outer clear glass cylinder: 6-1/4" dia. x 10" T x 1/8" wall thickness
- Inner opal glass cylinder: 5" dia. x 10-3/8" T, 1/8" wall thickness
- Cylindrical styling
- Six feet of 9 gauge chain supplied
- Painted finish
- Die cast aluminum construction
- Matching chain hung and wall units available

Mounting

- Ceiling chain mounted

Electrical

- Ceramic medium based socket
- 15 feet of wire supplied
- Pre-wired

Labeling

- UL-CUL damp location listed