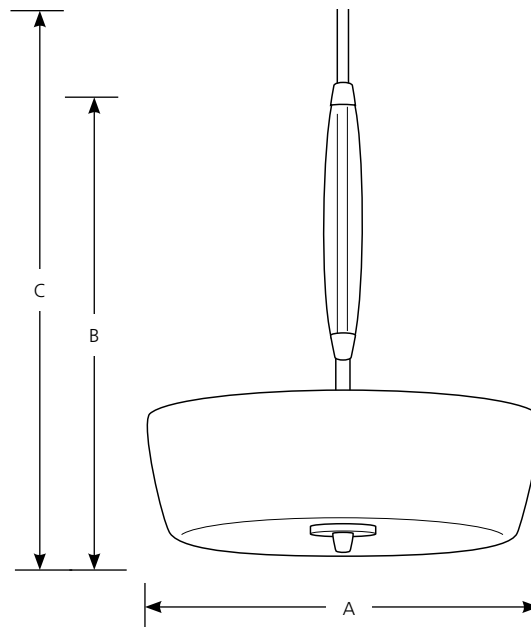


Type \_\_\_\_\_  
-09

P5062

Catalog No.	Finish		Lamping	Dimensions (Inches)		
	Brushed Nickel			A	B	C
P5062	-09		3 (m) 100w	15	19	84



**Specifications:**

General

- Opal etched mouth-blown glass shade: 15" dia.
- Plated Brushed Nickel (-09) finish
- Steel construction
- Two 6", one 12", two 15" lengths of stem included
- 6 links of 9 gauge chain supplied.
- Companion Chandelier, Pendant, fixtures are available

Electrical

- Medium base ceramic sockets
- 15 feet of wire supplied
- Pre-wired

Labeling

- UL-CUL listed

Mounting

- Ceiling stem mounted with 6 links of chain mount
- Canopy covers a standard 4" hexagonal recessed outlet box
- Mounting strap for outlet box included