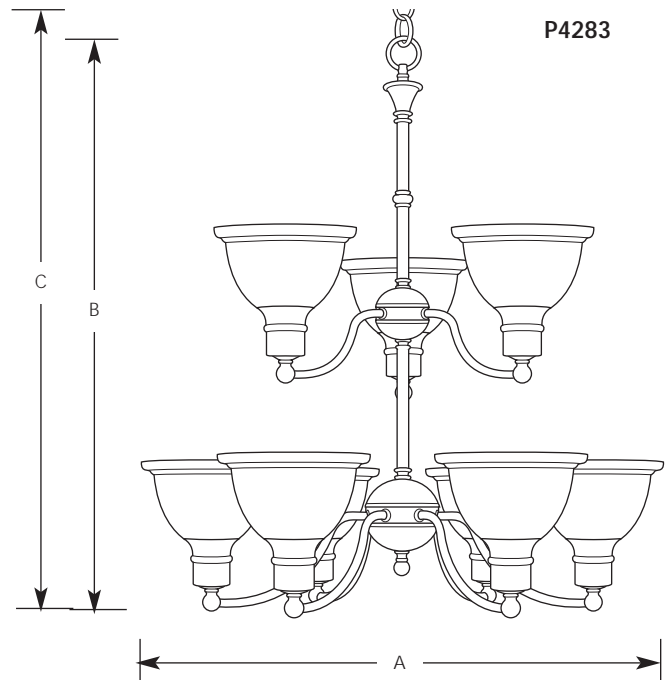
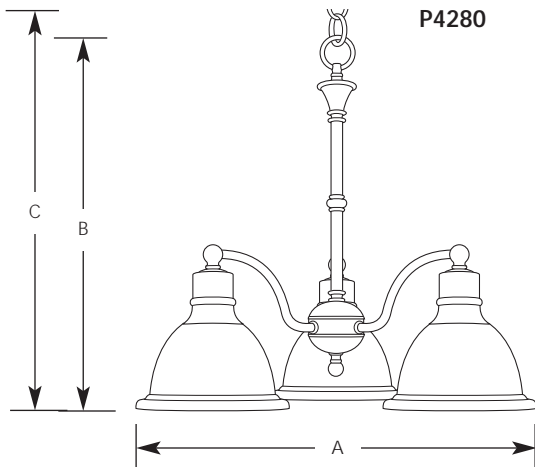


Type _____
 -09 -20 -33

P4280	<input type="checkbox"/>	<input type="checkbox"/>	<input type="checkbox"/>
P4281	<input type="checkbox"/>	<input type="checkbox"/>	<input type="checkbox"/>
P4283	<input type="checkbox"/>	<input type="checkbox"/>	<input type="checkbox"/>

Catalog No.	Finish			Lamping	Dimensions (Inches)		
	Brushed Nickel	Antique Bronze	Cobblestone		A	B	C
P4280	-09	-20	-33	3 (m) 100w	22	20	95
P4281	-09	-20	-33	5 (m) 100w	24-1/2	25	100
P4283	-09	-20	-33	9 (m) 100w	29	32-1/2	107



Specifications:

General

- Etched glass shades, 7-1/2" dia., 4-3/8" tall
- Concealed glass shade retention
- Chandelier arms can be rotated to an "up" or "down" position
- Steel construction
- 6ft of 9ga. chain
- Plated brushed nickel. The others are hand painted
- Companion bath, hall & foyer, pendant, and close to ceiling units

Mounting

- Ceiling mounted
- Canopy covers a standard recessed 4" octagonal outlet box
- Mounting strap for outlet box included

Electrical

- Ceramic medium based sockets
- Pre-wired

Labeling

- UL-CUL listed

Progress Lighting
 701 Millennium Blvd.
 Greenville, South Carolina
 29607

www.progresslighting.com