

Type _____

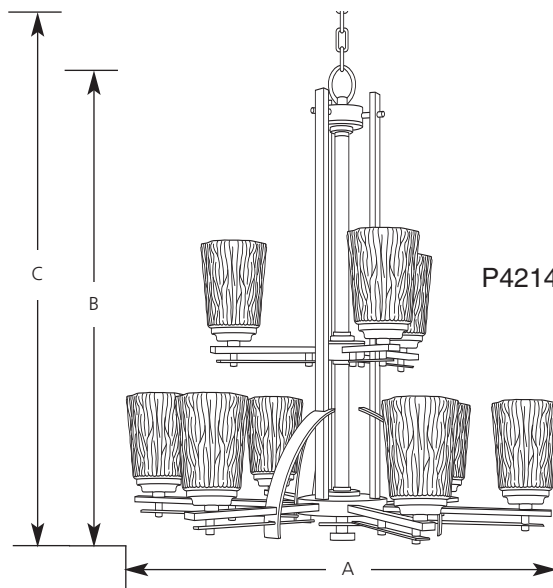
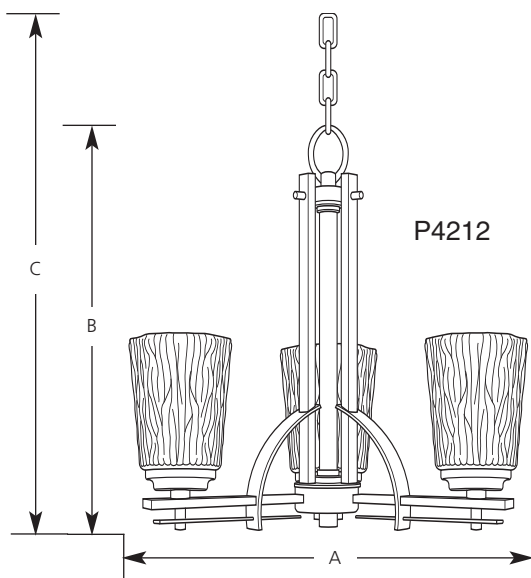
-88

P4212

P4213

P4214

Catalog No.	Finish Heirloom	Lamping	Dimensions (Inches)		
			A	B	C
P4212	-88	3 (m) 100w	18-7/8	17-1/2	92
P4213	-88	6 (m) 100w	24	20-3/8	95
P4214	-88	9 (m) 100w	28	30-1/2	105



Specifications:

General

- Etched light topaz wave glass
- Forged linear struts
- Arched arm supports
- P4214 is a two tier unit (6/3)
- 6 feet of 9 gauge matching chain supplied
- Steel construction
- Hand painted heirloom finish
- Companion mini-pendant, close to ceiling, and bath & vanity units

Mounting

- Chain hung ceiling
- Canopy covers a standard recessed 4" octagonal outlet box
- Mounting strap for outlet box included

Electrical

- 15 feet of wire
- Ceramic medium based sockets
- Threaded socket ring secures glass
- Pre-wired

Labeling

- UL-CUL listed