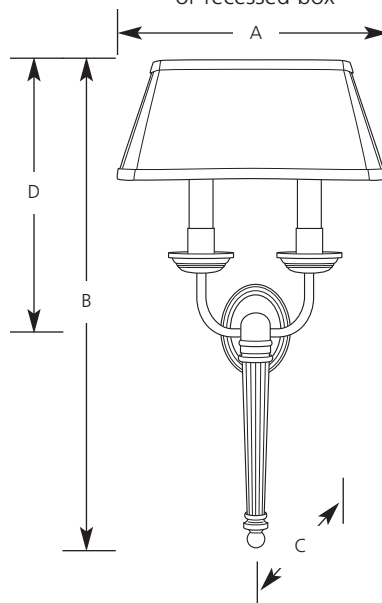


Type _____
 -09
 P7107

| Catalog No. | Finish Brushed Nickel | Application | Dimensions (Inches) | | | |
|-------------|-----------------------------|--|---------------------|--------|---|--------|
| | | | A | B | C | D |
| P7107 | -09 | Use with wall plate or recessed box | 14-7/16 | 25-7/8 | 4 | 14-1/8 |



Specifications:

General

- Traditional twin arm design wall pocket sconce
- White fabric shade conceals wall plate or recessed box
- Die cast construction
- Complies with Americans with Disabilities Act (Maximum 4" projection)
- Locks in place for safety
- Interchangeable with other wall pockets diffusers

Mounting

- Vertical wall mount (back plate or box is horizontal)
- Must be used with P7200-30 back plate or P3TG, P4TG, or P5TG wall box

Electrical

- Refer to wall box or wall plate