



LED

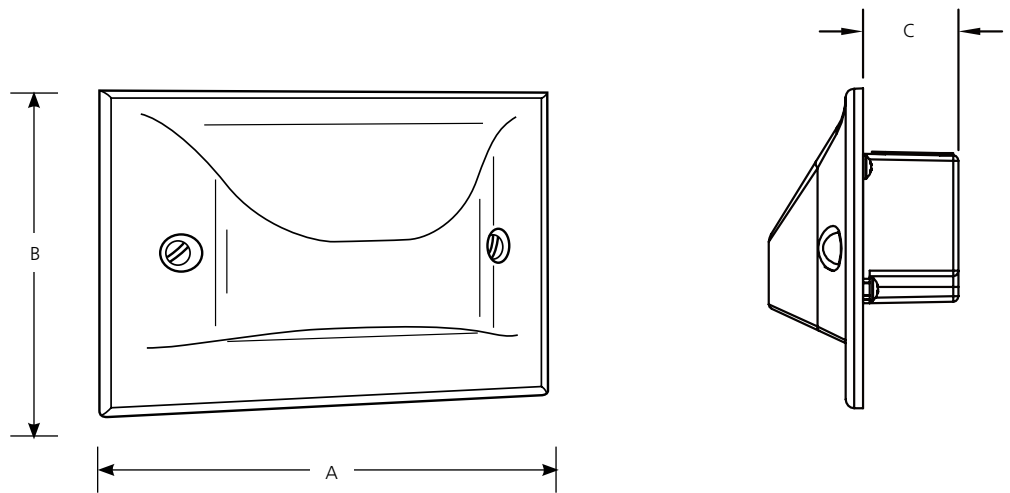
Mini Indoor/Outdoor Horizontal

Step/Wall

Type _____
 -09 -20 -30 -31
 P6832

Catalog No.	Finish				Dimensions (Inches)		
	Brushed Nickel	Antique Bronze	White	Black	A	B	C
P6832	-09	-20	-30	-31	4-3/4	3	15/16*

* Allow 1-1/8" minimum clearance



Specifications:

Faceplate Assembly

- One piece die cast aluminum construction that includes the LED lamps and driver
- Frosted acrylic lens closure
- Gasket included
- Brushed Nickel (-09) is a plated finish
- Antique Bronze (-20), White (-30) and Black (-31) are powder coated paint finishes
- Horizontal mounting in a standard recessed single gang wallbox (2" minimum clearance)

Lamping

- LED (Light Emitting Diode) Lamps included
- 2700K color temperature (2750K ±75K)
- 80 CRI
- 30,000+ hrs life
- Lamp contains no mercury, meets Calif. Title 22

Electrical

- Integral driver, Class 2, non-dimmable
- 120v 60Hz input
- Consumes 5 watts

Labels

- cCSAus certified for wet locations

Progress Lighting
 701 Millennium Blvd
 Greenville, South Carolina
 29304-5704

www.progresslighting.com

Rev. 11/12