



Halogen

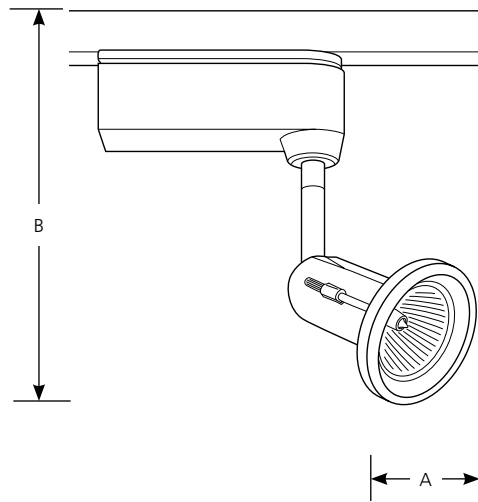
Miniature Halogen

Track

Type _____
-09

P6104

Catalog No.	Finish		Lamping	Dimensions (Inches)	
	Brushed Nickel			A	B
P6104	-09		1 MR-16 50w (included)	2-3/4	8-1/4



Specifications:

Track Lock Up & Transformer Housing

- For use with Alpha (P9100 series) track
- Cast aluminum housing
- Polarity oriented
- Quarter turn fastening to track
- Locks to track to prevent accidental removal

Track Head

- Yoke mounted open back style with perforated metal shield
- Permanently wired and affixed to the transformer housing
- 58 degree rotation
- 0 to 90 degree vertical swing
- Steel construction
- Clear lens protects lamp
- GU5.3 bi-pin base (included)

Transformer

- 120V to 12V electronic transformer
- Transformer is potted for minimum noise, low heat and protection of components
- Pre-wired

Labeling

- UL-CUL Dry location listed

Photometrics

- Contact lamp manufacturer for MR16 application data

Progress Lighting
701 Millennium Blvd.
Greenville, South Carolina
29607

www.progresslighting.com

Rev. 07/13