



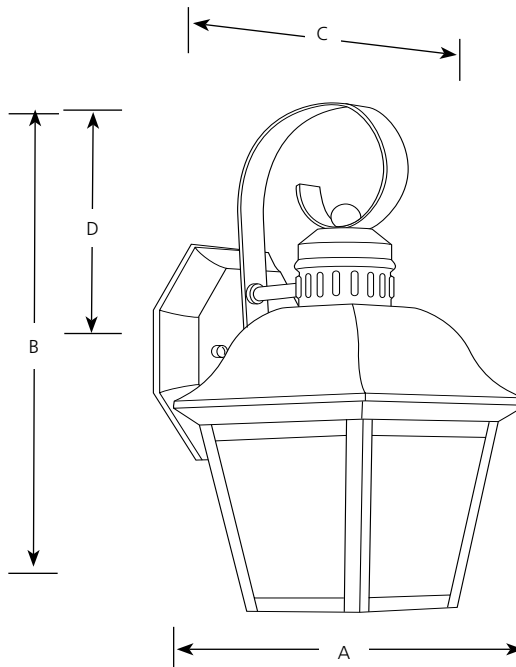
Compact Fluorescent

**Andover**  
Energy Star

**Outdoor**

	Type _____			
	-20EB	-33EB	-43EB	-50EB
P5887	<input type="checkbox"/>	<input type="checkbox"/>	<input type="checkbox"/>	<input type="checkbox"/>

Catalog No.	Finish					Dimensions (Inches)			
	Antique Bronze	Cobble- Stone	Colonial Silver	Golden Baroque	Lamping	A	B	C	D
P5887	-20EB	-33EB	-43EB	-50EB	1-4 pin 13 CFL	5-1/2	12-5/8	6-3/8	6-3/8



**Specifications:**

General

- Frosted glass panels
- Scroll decorative elements
- Solid brass construction
- Relamps from below
- Painted finishes. Colonial Silver (-43) is without highlights
- Energy Star certified

Electrical

- 4 pin GX24q-1 socket.
- 120v NPF electronic ballast
- Unit will start down to 0 degrees F
- Integral photocell turns unit off during daytime
- Pre-wired

Labeling

- UL-CUL wet location listed

Mounting

- Wall mount outdoor
- Covers a standard 4" recessed octagonal recessed outlet box
- Mounting strap included



Progress Lighting  
701 Millennium Blvd.  
Greenville, South Carolina  
29607

www.progresslighting.com

Rev. 11/07