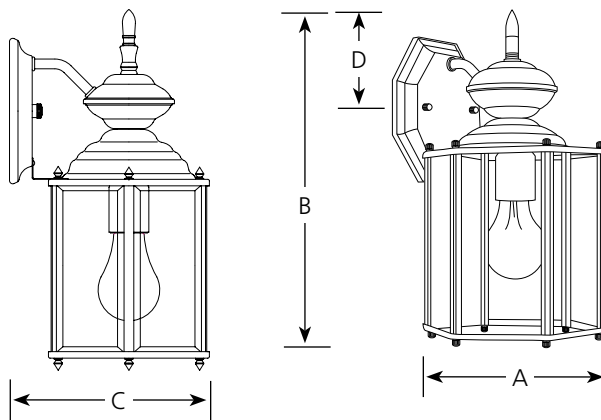


Catalog No.	Finish		Lamping	Dimensions (Inches)			
	Polished Brass	Antique Brass		A	B	C	D
P5832	-10	-11	1 (m) 100w	7	14-1/4	7	3-15/16

Type _____
 -10 -11

P5832



Specifications:

General

- Clear beveled glass panels: 3-1/4" W., 6-13/16" ht.
- Plated Polished Brass (-10), Antique Brass (-11) finishes
- Solid brass construction
- Traditional hexagonal style
- Companion Post top lantern, Wall lantern, fixtures are available
- Brass Guard finish coat
- Clear gasket preinstalled on back plate to isolate it from wall for tarnish protection
- Lamp replacement through bottom opening
- Companion Post top lantern, Wall lantern, fixtures are available

Mounting

- Wall mount
- Canopy covers a standard 4" hexagonal recessed outlet box: 4-11/16" W., 5-1/2" ht.
- Mounting strap for outlet box included

Electrical

- Medium base ceramic socket
- 6" of wire supplied
- Pre-wired

Labeling

- UL-CUL Wet location listed