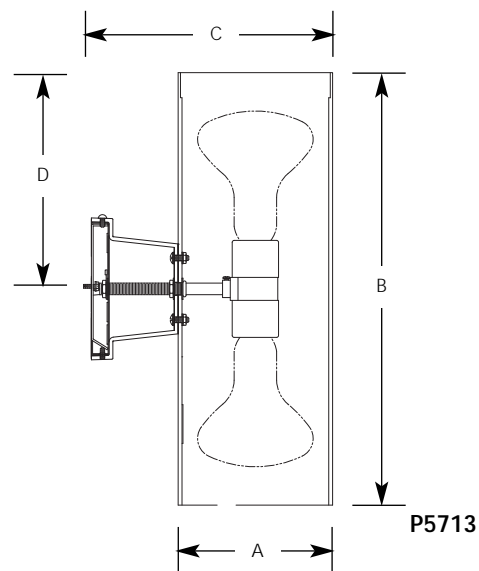
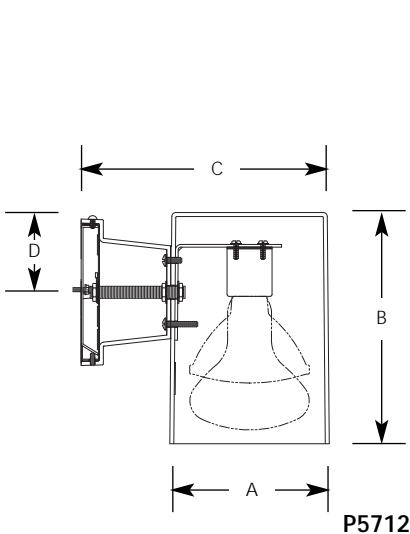


Type	_____	
	-30	-31
P5712	<input type="checkbox"/>	<input type="checkbox"/>
P5713	<input type="checkbox"/>	<input type="checkbox"/>

Catalog No.	Finish		Lamping	Dimensions (Inches)			
	White	Black		A	B	C	D
P5712	-30	-31	1-75w PAR30, 65w BR30	4-7/8	7-1/4	7-3/4	2-1/2
P5713	-30	-31	2-75w PAR30	5	14	7-1/4	7



Specifications:

General

- Polycarbonate construction
- Interior or exterior use
- Non corrosive hardware supplied
- P5712 – Down lighting. Shields PAR lamps to minimize glare and provide compliance with turtle laws (check local codes)
- P5713 – up/down lighting. P8799 top cover lens recommended when unit is used outdoors

Mounting

- Wall mounted
- Covers any outlet box
- Mounting bracket is 4-1/2" square
- Outlet box mounting bracket is supplied. Permits attachment of unit to wall with one almost invisible set screw

Electrical

- Medium based ceramic socket with nickel plated brass screw shell

Accessories

- P8799-30 or -31 top lens cover for P5713 fixture

Labeling

- UL-CUL wet location listing for P5712 and P5713 with P8799 cover
- UL-CUL listing for P5713 for indoor use with no cover