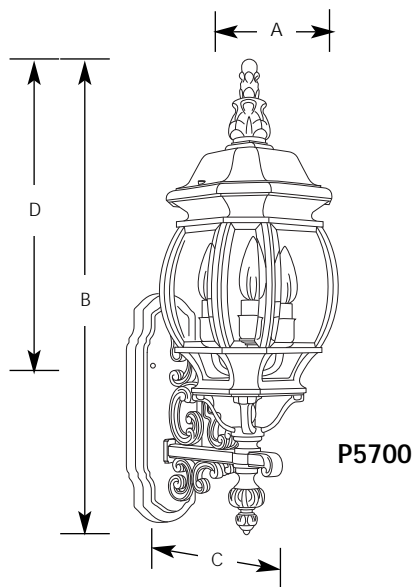


Type _____
 -31
 P5700
 P5701

| Catalog No. | Finish | Lamping | Dimensions (Inches) | | | |
|-------------|--------|-----------|---------------------|--------|--------|--------|
| | | | A | B | C | D |
| P5700 | -31 | 3 (c) 60w | 7-3/4 | 23-1/4 | 10-3/4 | 15-1/4 |
| P5701 | -31 | 4 (c) 60w | 11-1/8 | 31 | 16 | 21-1/8 |



Specifications:

General

- Die-cast aluminum construction
- Solid brass interior components
- Clear beveled glass panels
- Cast wall plate
- Matching chain hung and post top units available

Electrical

- Candelabra based sockets
- Pre-wired

Labeling

- UL-CUL wet location listed

Mounting

- Wall mount
- Covers standard junction box
- Mounting strap for outlet box included
- Wall plate:
 - P5700 - 4-1/2" w., 12" h.
 - P5701 - 4-1/2" w., 17" h.