



Compact Fluorescent

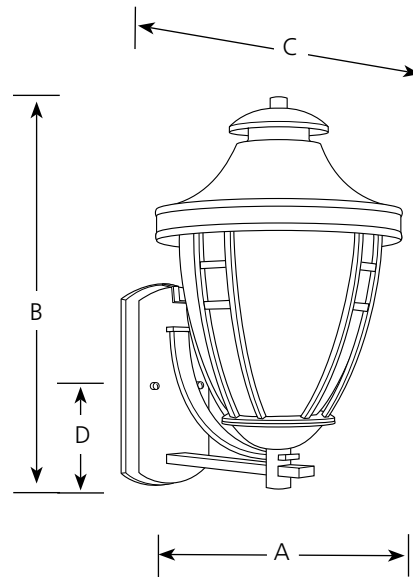
Fairview

Outdoor

Type _____
-31

P5496

Catalog No.	Finish		Lamping	Dimensions (Inches)			
	Black			A	B	C	D
P5496	-31		1 GU-24 26w	10-1/2	17-3/4	12-1/4	5-1/4



Specifications:

General

- Etched glass enclosure: 8-9/16" top, 3-3/4" bottom dia., 7-1/4" ht.
- Painted Black (-31) finish
- Acorn shape
- Tapered round top, and twin bar trim
- Aluminum construction
- Companion Chain hung lantern, Post top lantern, Wall lantern, fixtures are available

Mounting

- Wall mount
- Back plate covers a standard 4" hexagonal recessed outlet box: 4-3/4" W., 9" ht.
- Mounting strap for outlet box included

Electrical

- GU24 base socket
- Pre-wired

Labeling

- cCSAus Wet location listed

Progress Lighting
701 Millennium Blvd.
Greenville, South Carolina
29607

www.progresslighting.com

Rev. 09/13