



Incandescent

Glass Pendants

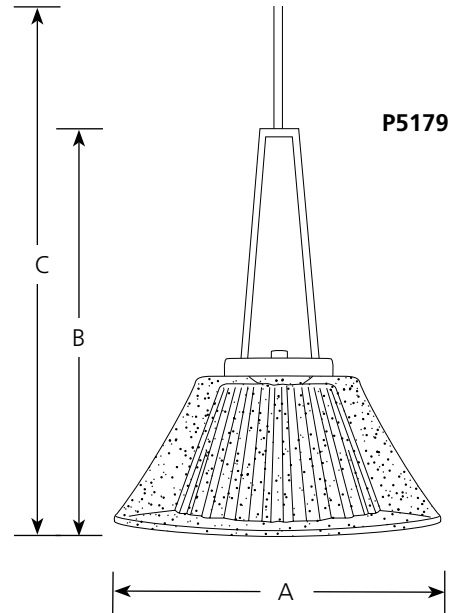
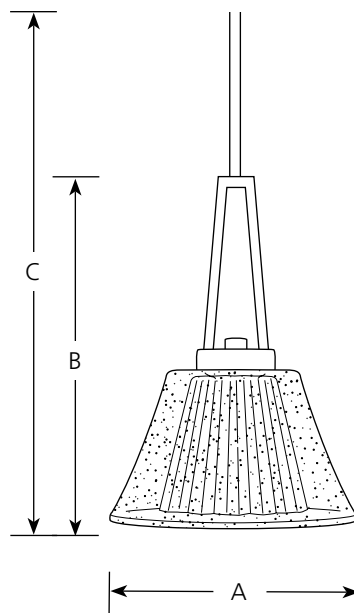
Pendants

Type _____
-108

P5172

P5179

Catalog No.	Finish		Lamping	Dimensions (Inches)		
	Oil Rubbed Bronze			A	B	C
P5172	-108		1 (m) 100w	10	14-1/2	81
P5179	-108		1 (m) 100w	16-3/4	20-1/2	86



Specifications:

General

- Clear seeded glass shade with etched amber glass shade
- P5172 Outer (Clear seeded) 10" dia., Inner (etched amber) 6" dia.
- P5179 Outer (Clear seeded) 16-3/4" dia., Inner (etched amber) 10-5/8" dia.
- Painted Oil Rubbed Bronze (-108) finish
- Steel construction
- 6 links of 9 gauge chain supplied.
- Two 6", one 12", two 15" lengths of stem included
- Companion Pendant, fixtures are available

Mounting

- Ceiling stem mounted with 6 links of chain mount
- Canopy covers a standard 4" hexagonal recessed outlet box
- Mounting strap for outlet box included

Electrical

- Medium base ceramic sockets
- 10 feet of wire supplied
- Pre-wired

Labeling

- UL-CUL listed

Progress Lighting
701 Millennium Blvd.
Greenville, South Carolina
29607

www.progresslighting.com

Rev. 04/13