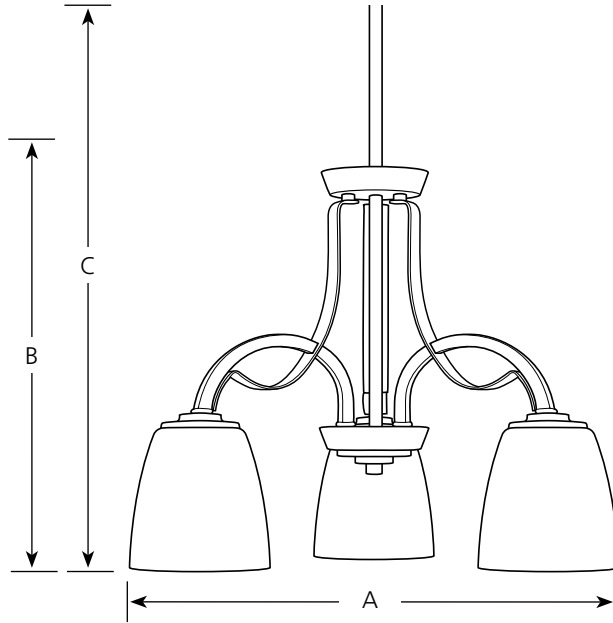


Type _____

-20

P4315

Catalog No.	Finish		Lamping	Dimensions (Inches)		
	Antique Bronze			A	B	C
P4315	-20		3-100w (m)	20	16	82



Specifications:

General

- Etched Opal glass shades
- Painted Antique Bronze (-20) finish
- Steel construction
- One 6", four 12" lengths of stem included
- 6 links of 9 gauge chain included
- Companion Chandelier, Pendant, fixtures are available

Mounting

- Ceiling stem mounted with 6 links of chain mount
- Canopy covers a standard 4" hexagonal recessed outlet box
- Mounting strap for outlet box included

Electrical

- A19 base ceramic sockets
- 15 feet of wire supplied
- Pre-wired

Labeling

- UL-CUL Dry location listed