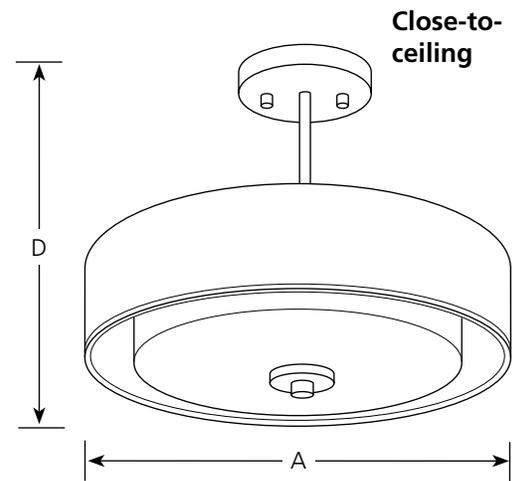
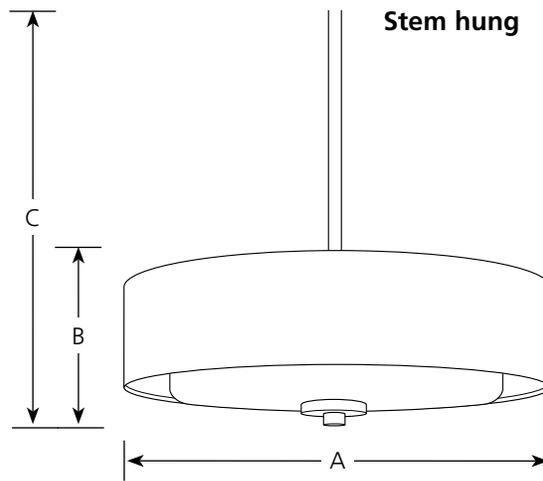


Catalog No.	Finish		Lamping	Dimensions (Inches)			
	Brushed Nickel	Antique Bronze		A	B	C	D
P3694	-09	-20	3 (m) 100w	15	5-1/4	71-1/4	12-1/8

Type	-09	-20
P3694	<input type="checkbox"/>	<input type="checkbox"/>



**Specifications:**

General

- White silk mylar exterior shade
- Etched glass interior shade
- Plated Brushed Nickel (-09) finish
- Painted Antique Bronze (-20) finish
- Steel construction
- 6 links of 9 gauge chain
- One 6", four 12" lengths of stem included
- Companion Bath and Vanity, Chandelier, Close-to-ceiling, Hall and Foyer, Pendant, fixtures are available

Mounting

- Ceiling semi-flush mount
- Canopy covers a standard 4" hexagonal recessed outlet box:
- Mounting strap for outlet box included

Electrical

- Medium base ceramic sockets
- 12 feet of wire supplied
- Pre-wired

Labeling

- UL-CUL Dry location listed