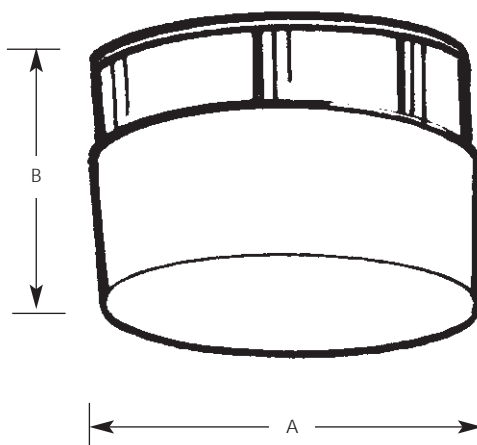


Type _____
 -30
 P3516

| Catalog No. | Finish White | Lamping | Dimensions (Inches) | |
|-------------|-----------------|-----------|---------------------|-------|
| | | | A | B |
| P3516 | -30 | 1 (m) 60w | 6-3/4 | 4-3/4 |



Specifications:

General

- Steel construction
- White glass
- Glass snaps into fitter pan for easy maintenance
- No fitter screws required

Mounting

- Ceiling mount
- Covers outlet box
- Mounting strap for outlet box included
- Keyhole slots for easy fixture mounting

Electrical

- Requires 90-degree supply wire connections
- Medium based phenolic sockets
- Pre-wired

Labeling

- UL-CUL Dry Location listed