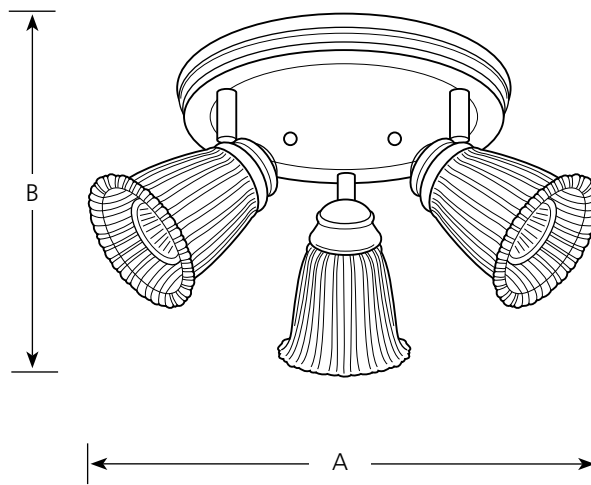


Type \_\_\_\_\_

-77WB -81WB

P3848

Finish				Dimensions (Inches)	
Catalog No.	Forged Bronze	Antique Nickel	Lamping	A	B
P3848	-77WB	-81WB	3 MR16 50w (Incl)	11	7



**Specifications:**

General

- Etched ribbed glass shades, 3-3/4" dia. x 3-1/8" T, 1-1/8" dia. center hole
- Adjustable heads
- 120v 501 MR16 lamps
- Forged Bronze (-77) is a painted finish
- Antique Nickel (-81) is a plated finish
- Steel construction

Mounting

- Ceiling mounted
- Canopy dimensions: 9" dia. x 1-1/2" T
- Canopy covers a 4" recessed octagonal outlet box

Electrical

- GU10 based socket
- Pre-wired

Labeling

- cCSAus damp location listed