



Compact Fluorescent

**Eclipse Collection**  
Standard Ballast

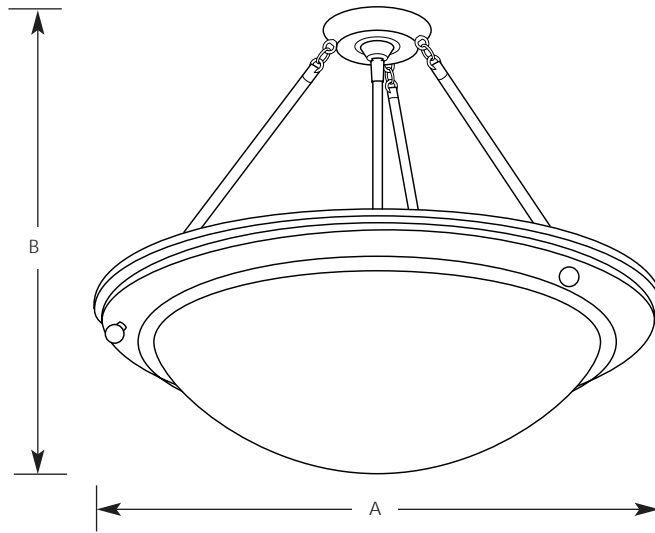
**Close-to-Ceiling**

Type \_\_\_\_\_

-10 -13

P3572

Catalog No.	Finish		Lamping	Socket	Dimensions (Inches)	
	Polished Brass	Brushed Steel			A	B
P3572	-10	-13	4-13w Twin CF	GX23	27-3/8	20-1/2



**Specifications:**

General

- Semi-flush mount design
- Steel construction with Polished Brass (-10) or Brushed Steel (-13) finish
- Satin white glass
- Ideal for 9-foot ceilings or higher
- Companion foyer, flush mount and wall sconce

Electrical

- 120V, HPF ballasts
- Pre-wired

Labeling

- UL-CUL listed

Mounting

- Ceiling mount
- Covers outlet box
- Mounting strap for outlet box included
- Canopy 5-1/2" dia.

Progress Lighting  
Post Office Box 5704  
Spartanburg, South Carolina  
29304-5704

www.progresslighting.com

Rev. 12/99



Compact Fluorescent

Eclipse Collection  
Electronic Ballast

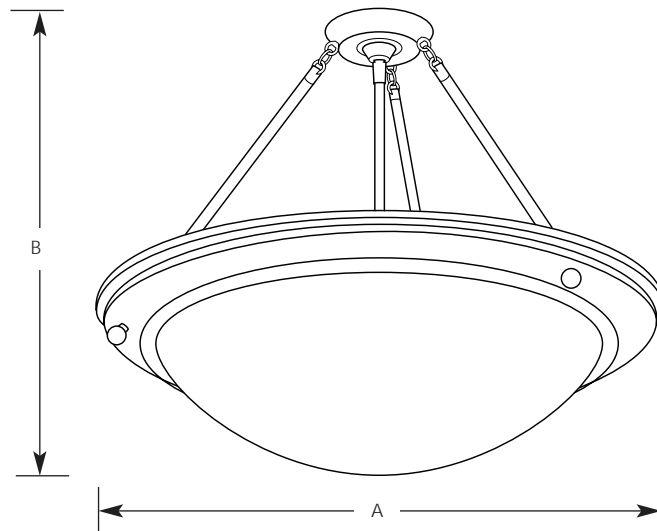
Close-to-Ceiling

Type \_\_\_\_\_

-10EB -13EB

P3572

Catalog No.	Finish		Lamping	Socket	Dimensions (Inches)	
	Polished Brass	Brushed Steel			A	B
P3572	-10EB	-13EB	4-13w Quad CF (4 pin)	GX24q-1	27-3/8	20-1/2



**Specifications:**

General

- Semi-flush mount design
- Steel construction with Polished Brass (-10) or Brushed Steel (-13) finish
- Satin white glass
- Ideal for 9-foot ceilings or higher
- Companion foyer, flush mount and wall sconce

Mounting

- Ceiling mount
- Covers outlet box
- Mounting strap for outlet box included
- Canopy 5-1/2" dia.

Electrical

- 120V, HPF electronic ballast
- Pre-wired

Labeling

- UL-CUL listed

Progress Lighting  
Post Office Box 5704  
Spartanburg, South Carolina  
29304-5704

www.progresslighting.com

Rev. 1/03

