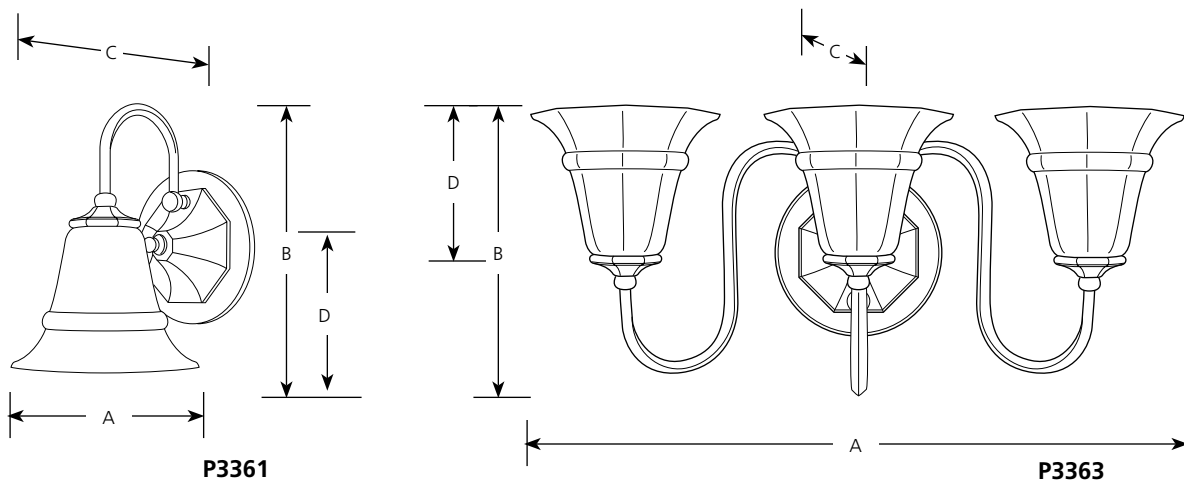


Type	_____	
	-10	-15
P3361	<input type="checkbox"/>	<input type="checkbox"/>
P3362	<input type="checkbox"/>	<input type="checkbox"/>
P3363	<input type="checkbox"/>	<input type="checkbox"/>

Catalog No.	Finish		Lamping	Dimensions (Inches)			
	Polished Brass	Polished Chrome		A	B	C	D
P3361	-10	-15	1 (m) 100w	6-3/4	9-3/4	8-1/8	4-12
P3362	-10	-15	2 (m) 100w	15-1/2	9-1/8	8-1/8	5-1/8
P3363	-10	-15	3 (m) 100w	22-1/2	9-3/4	8-1/8	4-7/8



**Specifications:**

General

- Etched opal glass shades
- Plated finishes
- Cast wall plate
- Cast construction with square tubing arms
- Steel construction

Electrical

- Pre-wired
- Medium based ceramic sockets

Labeling

- UL-CUL damp location listed

Mounting

- Wall mounted
- Can be mounted in up or down position
- Round wall plate covers a standard 4" octagonal recessed outlet box
- Mounting strap for outlet box included
- Threaded socket ring secures glass