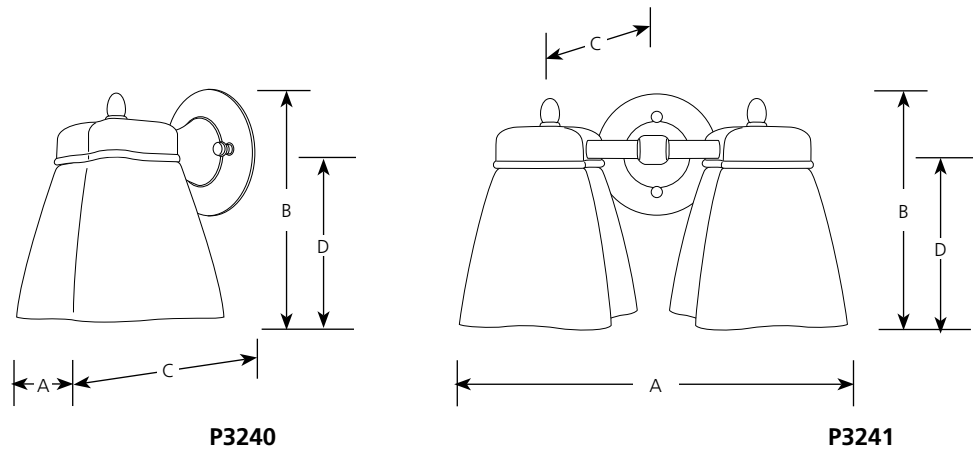


Type	_____		
	-09	-15	-32
P3240	<input type="checkbox"/>	<input type="checkbox"/>	<input type="checkbox"/>
P3241	<input type="checkbox"/>	<input type="checkbox"/>	<input type="checkbox"/>
P3242	<input type="checkbox"/>	<input type="checkbox"/>	<input type="checkbox"/>

Catalog No.	Finish		Lamping	Dimensions (Inches)			
	Brushed Nickel	Polished Chrome		A	B	C	D
P3240	-09	-15	1 (m) 100w	5-1/8	8-1/8	6-1/2	5-3/4
P3241	-09	-15	2 (m) 100w	13-1/8	8-1/8	6-3/4	5-3/4
P3242	-09	-15	3 (m) 100w	20-1/8	8	7-7/8	5-3/4



Specifications:

General

- Etched opal inflected curved glass shades: 5-1/8" dia. x 5-3/8" ht.
- The outer shades on the three lamp unit are closer to the wall than the center, giving a curved look to the whole fixture
- Cast wall plate
- Cast construction
- Steel construction
- Coordinates with Delta Faucet Company products

- Oval back plate is 4-3/4" dia. x 1/2" deep
- Mounting strap for outlet box included

Electrical

- Pre-wired
- Medium based ceramic sockets
- Threaded socket ring secures glass

Labeling

- UL-CUL damp location listed

Mounting

- Wall mounted
- Can be mounted in up or down position
- Canopy covers a standard 4" octagonal recessed outlet box