

Type _____

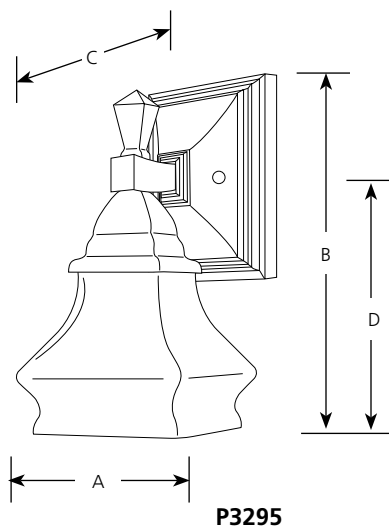
-09 -74

P3295

P3296

P3297

Catalog No.	Finish		Lamping	Dimensions (Inches)			
	Brushed Nickel	Venetian Bronze		A	B	C	D
P3295	-09	-74	1 (m) 100w	5-1/8	10-1/4	5-7/8	7-1/4
P3296	-09	-74	2 (m) 100w	13-5/8	10-1/4	5-7/8	7-1/4
P3297	-09	-74	3 (m) 100w	17-7/8	10-1/4	5-7/8	7-1/4



Specifications:

General

- Sculpted opal glass shades - 5-1/8" dia. x 4-7/8" tall
- Plated finishes
- Cast wall plate
- Cast construction with square tubing arms
- Steel construction

Electrical

- Pre-wired
- Medium based ceramic sockets

Labeling

- UL-CUL damp location listed

Mounting

- Wall mounted
- Can be mounted in up or down position
- Canopy covers a standard 4" octagonal recessed outlet box
- Mounting strap for outlet box included
- Threaded socket ring secures glass