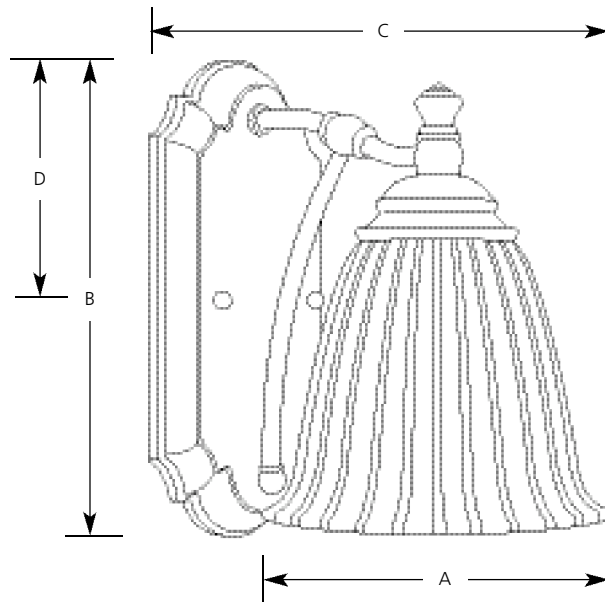


Type _____
 -77 -81
 P3016

Catalog No.	Finish		Lamping	Dimensions (Inches)			
	Forged Bronze	Antique Nickel		A	B	C	D
P3016	-77	-81	1 (m) 100w	6	9	7-7/8	4-1/2



Specifications:

General

- Etched glass shade
- Can be mounted in "up" or "down" position
- Steel construction
- Hand painted forged bronze or plated antique nickel finish
- Companion chandeliers, hall & foyer, sconce and close to ceiling units

Electrical

- Ceramic medium based socket
- Threaded socket ring secures glass
- Pre-wired

Labeling

- UL-CUL damp location listed

Mounting

- Wall mounted
- Back plate covers a standard recessed 4" octagonal outlet box
- Mounting strap for outlet box included