



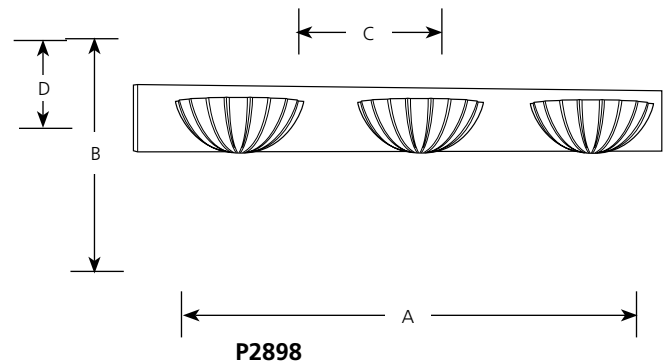
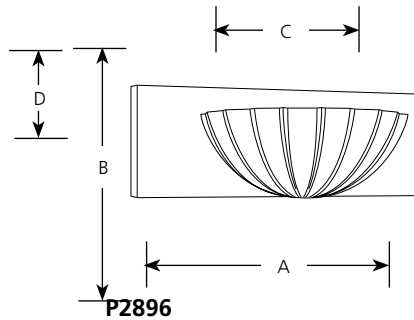
Incandescent

Melon Bath Bars
Energy Star

Bath & Vanity

Type _____
-15EBWB
P2896
P2897
P2898
P2899

Catalog No.	Finish	Lamping	Dimensions (Inches)			
	Polished Chrome		A	B	C	D
P2896	-15EBWB	1 13w spiral CFL (incl)	12	4-1/4	6-5/8	2-1/4
P2897	-15EBWB	2 13w spiral CFL (incl)	24	4-1/4	6-5/8	2-1/4
P2898	-15EBWB	3 13w spiral CFL (incl)	36	4-1/4	6-5/8	2-1/4
P2899	-15EBWB	4 13w spiral CFL (incl)	48	6-5/8	2-1/4	



Specifications:

General

- White acrylic melon diffusers mounted on face plate
- 13 watt spiral compact fluorescent lamps included
- Polished Chrome (-15) full length face plate is plated
- Steel construction

Electrical

- Pre-wired
- GU24 based sockets
- NPF 120v electronic ballast

Labeling

-  damp location listed

Mounting

- Wall mounted
- Back plate covers a standard 4" octagonal recessed outlet box
- Mounting strap for outlet box included



Progress Lighting
701 Millennium Blvd.
Greenville, South Carolina
29607

www.progresslighting.com

Rev. 3/09